

# FROST THERMOSTAT

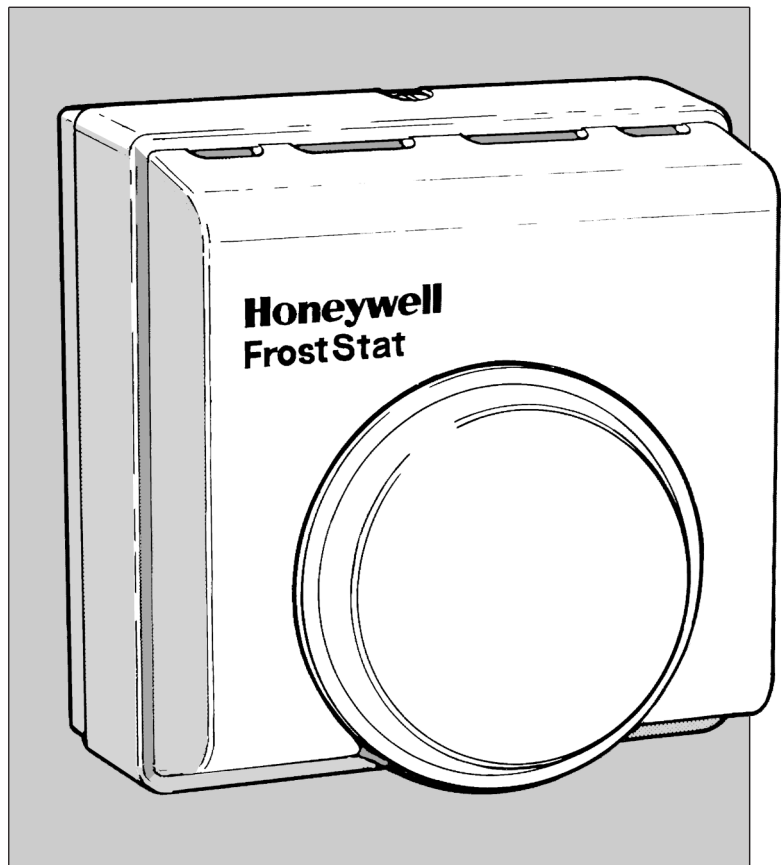
## T4360

### FEATURES

- Dual diaphragm temperature sensing element
- Suitable for surface or switch box mounting
- 3 to 20°C setpoint range
- Tamper resistant cover
- Double insulated

### OPTIONS

- Frost Protection Kit



### APPLICATION

The T4360 is a mains voltage Frost Thermostat designed to give automatic frost protection to boilers and pipework, as well as the fabric of the building. The thermostat should be fitted in the coldest areas e.g. loft space, floor voids, garages etc.

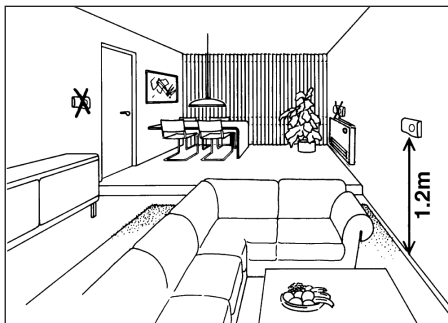
**HEATING CONTROLS**

**Honeywell**

## Installation

The **T4360** thermostat must be located in the coldest part of the house that has any pipework and associated fittings. If situated in a loft or outhouse, it is strongly recommended that a pipe thermostat should be used to switch off the boiler when the return water temperature reaches a predetermined level. Both the frost and pipe thermostat must be fitted internally and wired up to override all other time and temperature controls on the heating circuit.

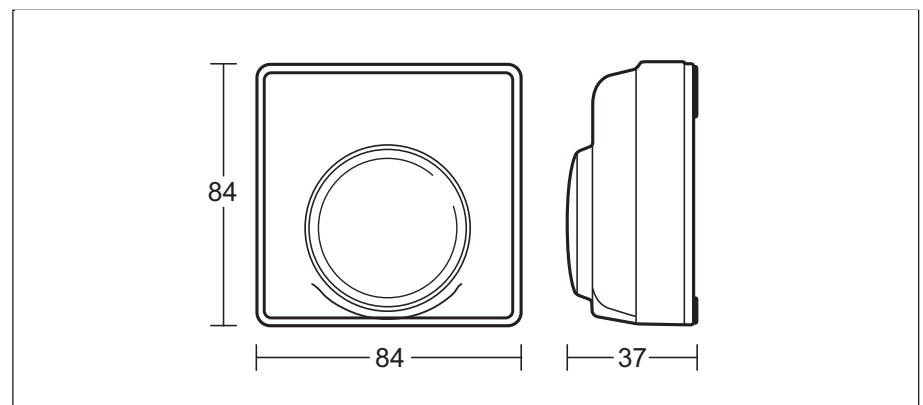
Fixing screws are supplied for either surface or flush mounting box.



## Specification

Voltage Rating	: 230VAC, +/-10%, 50...60Hz
Switch Rating	: 10A resistive, 3A inductive
Switch Type	: Single pole, single throw (SPST)
Temperature Setting Range	: 3 to 20°C with blue 5°C mark
Storage Conditions	: -20 to 55°C
Humidity	: 10 to 90% RH, non-condensing
Standards	: CE marked
EC Directive	: EN60730-1 (1995), EN55014-1 (1997), EN55014-2 (1996)

## Dimensions (mm)



## Ordering Specification

### T4360A1009

Frost Thermostat, tamperproof cover

### K42008628-001

Frost Protection Kit, consisting of:  
 1 x T4360A1009 Frost Thermostat  
 1 x L641B1004 Pipe Thermostat  
 Supplied with full instructions

## Frost Protection Wiring Kit

