



AFTERCARE INSTRUCTIONS

Your fitting has a high quality finish and should be treated with care to preserve the visible surfaces. All surface finishes will wear if not cleaned correctly, the only safe way to clean your mixer is to wipe with a soft damp cloth. Stains can be removed using washing up liquid. All bath cleaning powders and liquids will damage the surface of your fitting even the non-scratch cleaners.

GUARANTEE

All products are manufactured to the highest standards and a 5 year guarantee covers any defect in manufacture. As gold and special effect finishes are softer than chromium plate, special care must be taken when cleaning, a 3 year guarantee covers these finishes.

NOTE: The 5 year guarantee on the valves is invalidated if damaged by any water born debris.

In the interests of continuous product development we reserve the right to alter specification as necessary.

PRODUCT CODE: MH SNK C/MOC/BGE/WHT

TELEPHONE HELP LINE: 0844 701 6273

Bristan Group Ltd
Birch Coppice Business Park
Dordon
Tamworth
Staffordshire
B78 1SG
UK
A Masco Company
Web Site: www.bristan.com
Telephone: 0844 701 6274
Facsimile: 0844 701 6275
Email: enquire@bristan.com

(FI MH SNK)

(Rev D3)

Manhattan Monobloc Kitchen Mixer

Fitting Instructions

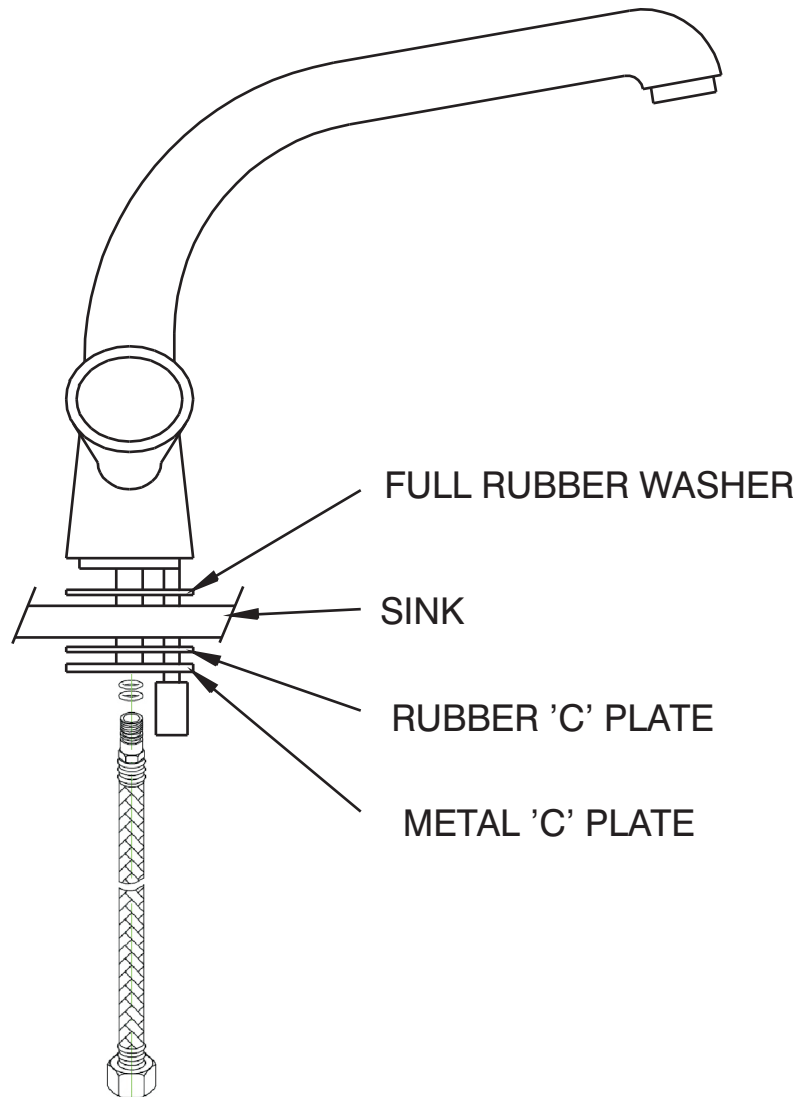
**Please keep these instructions for future reference
and for the ordering of spare parts.**

WATER PRESSURE

This mixer is suitable for use at all supply pressures.
If the fitting is installed at low pressure (tank fed), then the minimum height from the outlet of the nozzle to the underside of the cold tank should be 2 metres to ensure adequate performance.

Operating Pressures: Min 0.2 bar, Max 7.0 bar.

This mixer should be installed in compliance with Water Regulations. For further details contact your Local Water Authority.



INSTALLATION

1. Identify all components and check for completeness, particularly before arranging installation
2. Fit the mixer body to the sink using the 'C' plate fixing kit. The full rubber washer goes between the fitting and the sink. The optional nylon ring can be used between the underside of the sink and the rubber washer if need be. The 'C' shaped rubber and metal washers also go on the underside of the sink.
3. Fit the flexi tails to the fitting and connect the hot and cold supplies.
4. Fully open both valves, letting them run for a few minutes to flush the system.
5. Check all joints and connections for leaks.
6. See over the page for aftercare instructions.

MAINTENANCE

All valve types: - If the fitting begins to drip

1. Turn off the water supply.
2. Remove fitting head and valve.
3. Carefully clean seating and rubber washer.
4. Replace valve and turn on the water supply.
5. Contact our helpline if problem persists.

Please Note: In the unlikely event you find a part missing please contact our Customer Service Help line on **0844 701 6273** or email enquire@bristan.com for immediate dispatch of part.