

TECHNICAL DATA SHEET

JAVA JAVA BASIN MIXER WITH CLICKER WASTE

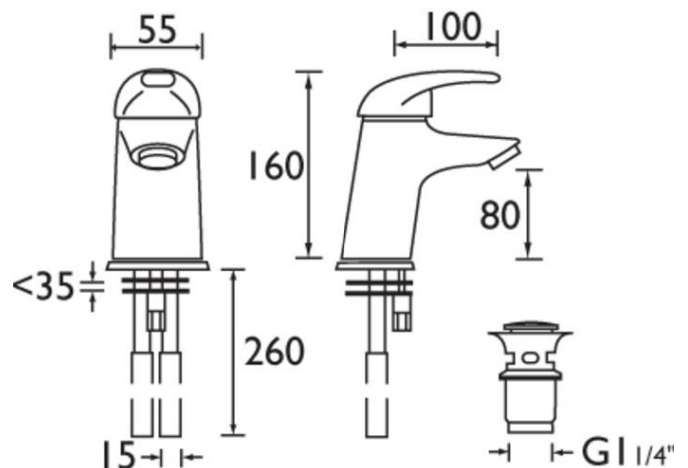


Product Specification

Product Code:	J BAS C
Finish:	Chrome
Product Type:	Contemporary
Construction:	Body is of brass construction and is designed to conform to BS EN 817
Valve Type:	40mm ceramic disc cartridge
Supply:	Suitable for all plumbing systems
Inlet Connections:	M10 x 300mm 1/2" BSP female flexible connecting pipes.
Water Pressure:	Min. 0.2 bar, Max. 8.0 bar

Additional Information

- Supplied with clicker waste
- Supplied with metal handle
- Chrome plated to BS EN 248



Technical Advice: For further information please call 0844 7016273 or email customer@bristan.com.
Guarantee: 5 years covering manufacturing faults.

Compliance / Approvals

WRAS: Certificate No: 1109061

Flow Rates (litres per minute)

System Pressure	0.2bar	0.5bar	1bar	2bar	3bar	5bar
J BAS C (mixed)	5.3	9.3	13.4	19.2	23.6	30.6