

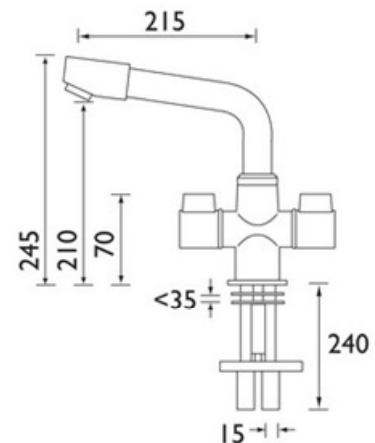
TECHNICAL DATA SHEET

SIGMA

SIGMA MONOBLOC SINK MIXER

Product Specification

Product Code:	S SNK C
Finishes:	Chrome
Product Type:	Contemporary
Construction:	Bodies are of all brass construction and are designed to conform to BS EN 200
Cartridge/Valve Type:	Ceramic disc valves
Supply:	Suitable for all plumbing systems
Inlet Connections:	15mm copper tail pipes
Water Pressure:	Min. 0.2 bar, Max. 8.0 bar



Additional Information

- Dual flow
- S SNK C - Chrome plated to BS EN 248
- Supplied with 15mm copper tail pipes
- Flow limiters have to be fitted into a 15mm compression fitting

Technical Advice: For further information please call 0844 7016273 or email customercare@bristan.com.
Guarantee: 5 years covering manufacturing faults.

Compliance/Approvals

Flow Rates (litres per min.)

System Pressure	0.2bar	0.5bar	1bar	2bar	3bar	5bar
S SNK (*)	10.72	18.39	26.75	38.41	47.29	61.31