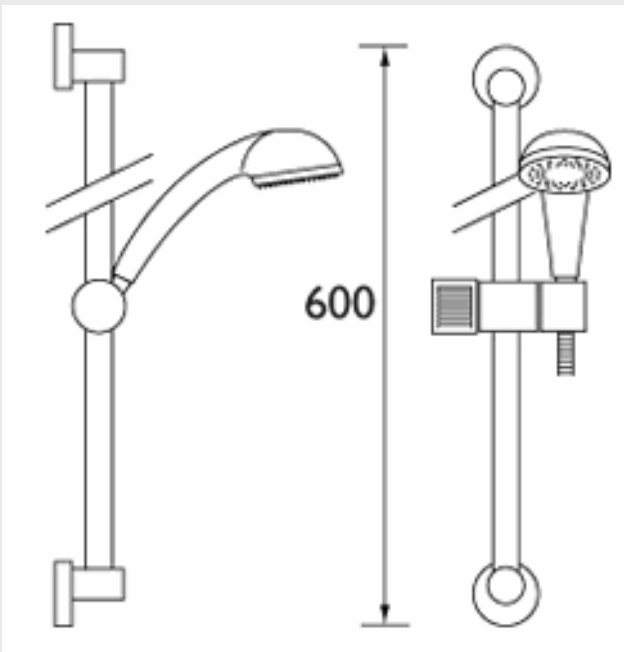


## SHOWER KIT

### Product Specification

<b>Product Code:</b>	KIT100 C
<b>Finish:</b>	Chrome
<b>Consists of:</b>	Single Function handset 1.75m Hose Riser Rail Adjustable Handset Holder Hose Retainer



### Product Information

- **Construction:** Kit includes: Slider Rail, Hose, Hose Retainer Ring and Single Mode Rub Clean Handset  
Metal and plastic construction.
- **Supply:** Suitable for all plumbing systems.
- **Technical Advice:** For further information please call +44 (0)844 701 6273 or email [enquire@bristan.com](mailto:enquire@bristan.com)
- **Guarantee:** All Bristan products are covered by a 5-year guarantee covering Manufacturing faults.

