

TECHNICAL DATASHEET

JUTE

JUTE BASIN MIXER (WITHOUT WASTE)

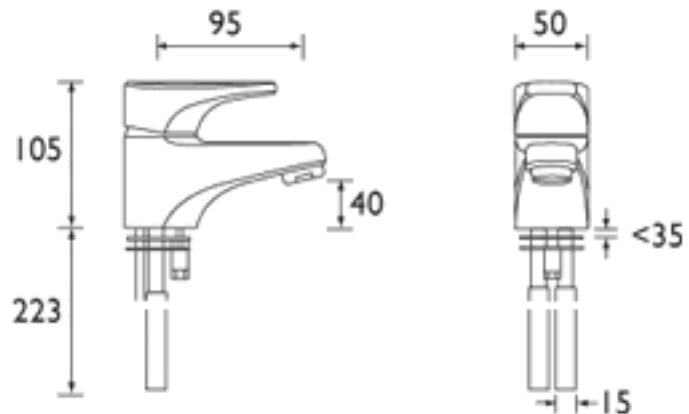


Product Specification

Product Code:	JU BASNW C
Finish:	Chrome
Product Type:	Contemporary
Construction:	Body is of brass construction and is designed to conform to BS EN 817
Cartridge Type:	Ceramic disc cartridge
Supply:	Suitable for all plumbing systems
Inlet Connections:	M10 x 15 flexible connecting pipes
Water Pressure:	Min. 0.2 bar, Max. 8.0 bar

Additional Information

- Supplied with metal handle.
- Supplied with metal fixing nut.
- Chrome plated to BS EN 248



Technical Advice: For further information please call 0844 7016273 or email customer@bristan.com.
Guarantee: 5 years covering manufacturing faults.

Compliance/Approvals

Flow Rates (litres per minute)

System Pressure	0.2bar	0.5bar	1bar	2bar	3bar	5bar
JU BASNW C (mixed)	5.7	9.5	13.7	19.6	24.0	31.2

Bristan, Birch Coppice Business Park, Dordon, Tamworth, B78 1SG
 Telephone: 0844 701 6274 Facsimile: 0844 701 6275
 Web Site: www.bristan.com Email: enquire@bristan.com



The information contained on this page was correct at date of issue. Fitting dimensions are provided as a guide only. Some variation may occur due to manufacturing tolerances. Bristan pursues a policy of continuing improvement in design and performance of its products and so reserves the right to change specifications without prior notice.