

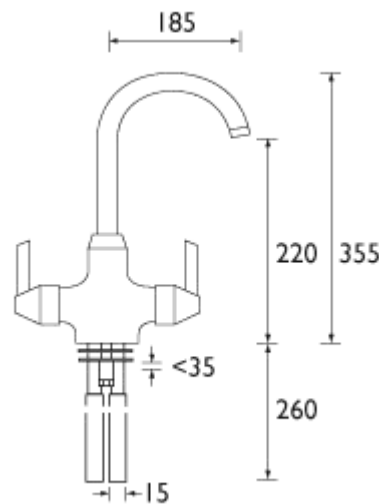
# TECHNICAL DATA SHEET

# BRISTAN

## ECHO ECHO SINK MIXER

### Product Specification

<b>Product Code:</b>	EC SNK C
<b>Finish:</b>	Chrome
<b>Product Type:</b>	Contemporary
<b>Construction:</b>	Body is of brass construction and is designed to conform to BS EN 200
<b>Valve Type:</b>	¼ turn ½" ceramic disc valves
<b>Supply:</b>	Suitable for all plumbing systems
<b>Inlet Connections:</b>	M12 x 15mm screw-in copper tail pipes
<b>Water Pressure:</b>	Min. 0.2 bar, Max. 8.0 bar



### Additional Information

- Dual flow.
- Supplied with metal levers & metal fixing nut.
- Chrome plated to BS EN 248.

**Technical Advice:** For further information please call 0844 7016273 or email [customer@bristan.com](mailto:customer@bristan.com).  
**Guarantee:** 5 years covering manufacturing faults.

### Flow Rates (litres per minute)

System Pressure	0.2bar	0.5bar	1bar	1.5bar	2bar
EC SNK C (mixed)	7.9	14.6	21.3	26.7	30.4

Bristan, Birch Coppice Business Park, Dordon, Tamworth, B78 15G  
Telephone: 0844 701 6274 Facsimile: 0844 701 6275  
Web Site: [www.bristan.com](http://www.bristan.com) Email: [enquire@bristan.com](mailto:enquire@bristan.com)

