

TECHNICAL DATA SHEET

DISCO

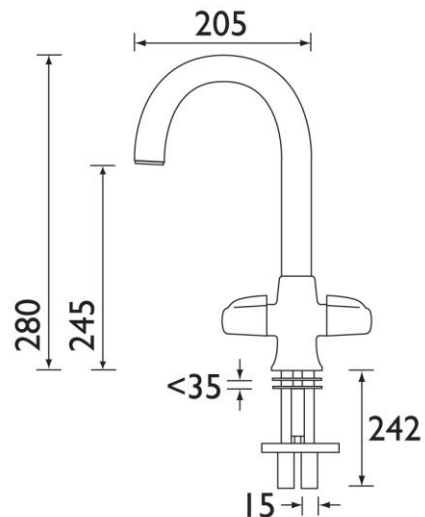
DISCO MONOBLOC SINK MIXER

Product Specification

Product Code:	DS SNK C
Finish:	Chrome
Product Type:	Contemporary
Construction:	Body is of brass construction and is designed to conform to BS EN 200
Valve Type:	¼ turn ½" ceramic disc valves
Supply:	Suitable for all plumbing systems
Inlet Connections:	M10 x 15mm screw-in copper tail pipes
Water Pressure:	Min. 0.2 bar, Max. 8.0 bar



© Bristan Group 2009



Additional Information

- Dual flow.
- Supplied with metal handles.
- Chrome plated to BS EN 248.

Technical Advice: For further information please call 0844 7016273 or email customer@bristan.com.
Guarantee: 5 years covering manufacturing faults.

Flow Rates (litres per minute)

System Pressure	0.2bar	0.5bar	1bar	2bar	3bar	5bar
DS SNK C (mixed)	11.2	19.6	28.7	41.2	50.8	65.6