

TECHNICAL DATASHEET

BRISTAN

PRISM

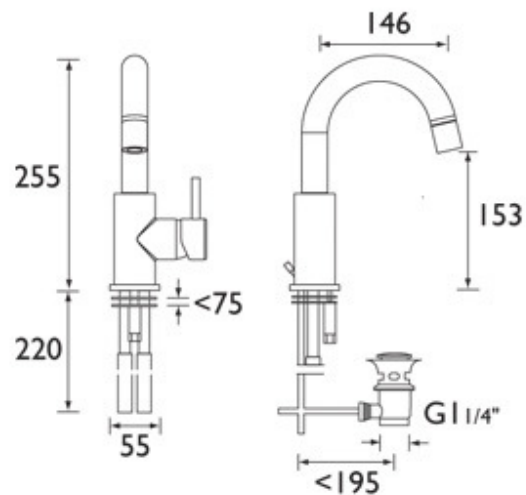
PRISM SIDE ACTION BASIN MIXER WITH POP-UP WASTE

Product Specification

Product Code:	PM SABAS C
Finish:	Chrome plated
Product Type:	Contemporary
Construction:	Body is of brass construction and is designed to conform to BS EN 817
Valve Type:	35mm ceramic disc cartridge
Supply:	Suitable for all plumbing systems
Inlet Connections:	M10 x 15mm screw-in copper tail pipes
Water Pressure:	Min 0.2 bar, Max 8.0 bar



© Bristan Group 2009



Additional Information

- Supplied with metal handle.
- Supplied with pop-up waste.
- Chrome plated to BS EN 248.

Technical Advice: For further information please call 0844 7016273 or email customercare@bristan.com
Guarantee: 5 years covering manufacturing faults

Compliance/Approvals

Flow Rates (litres per minute)

System Pressure	0.2bar	0.5bar	1bar	2bar	3bar	5bar
PM SABAS C (mixed)	5.0	8.8	12.7	18.3	22.5	29.1

Bristan, Birch Coppice Business Park, Dordon, Tamworth, B78 1SG
Telephone: 0844 701 6274 Facsimile: 0844 701 6275
Web Site: www.bristan.com Email: enquire@bristan.com

