

## **AFTERCARE INSTRUCTIONS**

Your fitting has a high quality finish and should be treated with care to preserve the visible surfaces.

All surface finishes will wear if not cleaned correctly, the only safe way to clean your mixer is to wipe with a soft damp cloth. Stains can be removed using washing up liquid. All bath cleaning powders and liquids will damage the surface of your fitting, even the non-scratch cleaners.

## **GUARANTEE**

All products are manufactured to the highest standards and a 5 year guarantee covers any defect in manufacture

**NOTE: The 5-year guarantee on the cartridge is invalidated if damaged by any waterborne debris.**

In the interests of continuous product development we reserve the right to alter specification as necessary

**PRODUCT CODE: TG SNK C**

**PLEASE QUOTE THE ABOVE PRODUCT CODE PROVIDED,  
WHICH WILL BE REQUIRED FOR ANY FUTURE  
CORRESPONDENCE REGARDING THIS PRODUCT**

Bristan Group Limited  
Birch Coppice Business Park  
Dordon  
Tamworth  
Staffordshire  
B78 1SG  
UK

A Masco Company

Website: [www.bristan.com](http://www.bristan.com)  
Telephone: +44 (0) 844 701 6274  
Facsimile: +44 (0) 844 701 6275  
Email: [enquire@bristan.com](mailto:enquire@bristan.com)

(FI TG SNK)

(Rev.D5)

# BRISTAN

## **Target Monobloc Kitchen Mixer**

## **Fitting Instructions & Contents List**

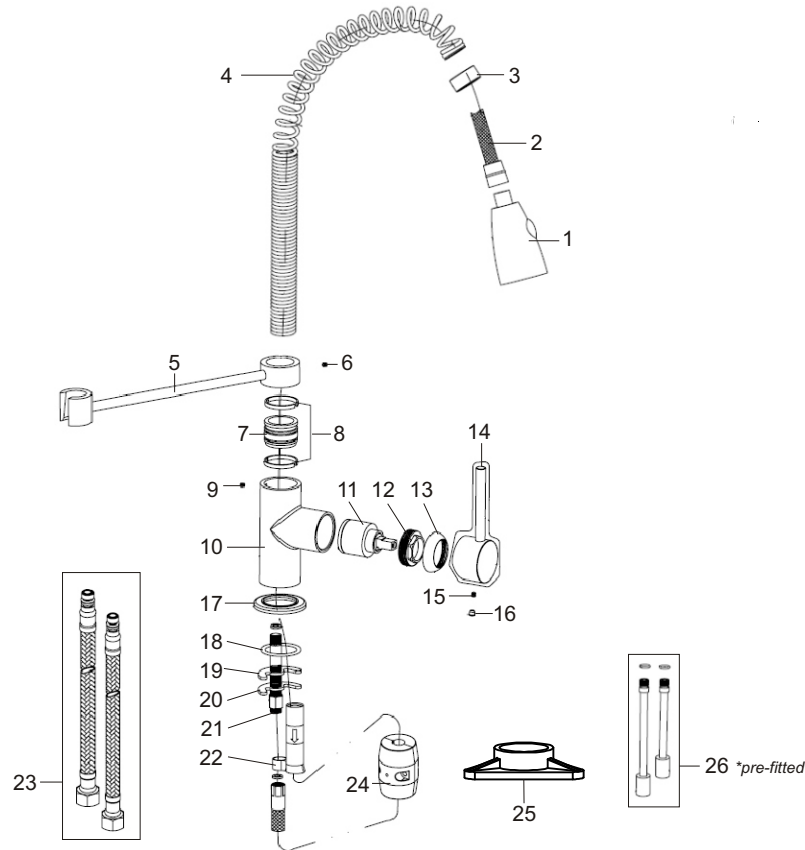
Please keep these instructions for future reference

## WATER PRESSURE

This mixer is suitable for use at pressures of 1.0 bar or more. This mixer should be installed in compliance with Water Regulations.

**NOTE:** This mixer is supplied with check valves which should be fitted on the hot supply, when the mixer is fitted to unbalanced supplies, to prevent backflow ie. cold water from the mains and hot via a hot water cylinder. To comply with Water Regulations, a further check valve (supplied) must be fitted on the cold supply.

For further details, contact your Local Water Authority.



## CONTENTS:

- |                     |                       |                     |                     |
|---------------------|-----------------------|---------------------|---------------------|
| 1. Plastic Spray    | 8. Anti Friction Ring | 15. Grub Screw      | 22. Protective Tube |
| 2. Hose             | 9. Grub Screw         | 16. Cap             | 23. Flexible Tails  |
| 3. Fixation Cover   | 10. Mixer Body        | 17. Plinth          | 24. Hose Weight     |
| 4. Spring Spout     | 11. Cartridge         | 18. Washer          | 25. Base Plate      |
| 5. Arm              | 12. Retaining Nut     | 19. C Shaped Washer | 26. Brass Tails     |
| 6. Grub Screw       | 13. Shroud            | 20. C Shaped Plate  |                     |
| 7. Spout Connection | 14. Handle            | 21. Threaded Rod    |                     |

## INSTALLATION

1. Identify all components and check for completeness, particularly before arranging installation.
2. Fit the tap base to the sink with plinth (17) and washer (18) in position. Place the plastic spacer (25) under the sink.
3. Put the C-plate rubber washer (17) and fixing C-plate (18), securing in position with the nut on the threaded rod (21).
4. Feed the hose through the protective tube (22) and attach the hose weight (24).
5. Connect the hose end to the threaded rod (21), ensuring that the smaller hole of the protective tube is also connected.
6. Fit the flexible tails (23) to the brass tails (26) and the check valves (27) to both of the inlets, then connect the hot and cold supplies.
7. Fully open the cartridge letting it run for a few minutes and check all joints for leaks.
8. See over the page for aftercare instructions.

## MAINTENANCE

### If the fitting begins to drip:

1. Isolate both water supplies.
2. Remove cap (16) and remove grub screw (15) below with a 2.5mm hexagonal key.
3. Remove the handle (14), shroud (13) and brass retaining nut (12) and pull out the cartridge (11) complete with seal.
4. Clean or replace cartridge, clean and grease seal and refit.

**Note:** That there are locating pins on the bottom of the cartridge that fits in holes inside the tap, to ensure it is fitted the right way round.

5. Refit brass retaining nut and reassemble lever.
6. If problem persists, contact our help line quoting the product code overleaf.