

TECHNICAL DATA SHEET

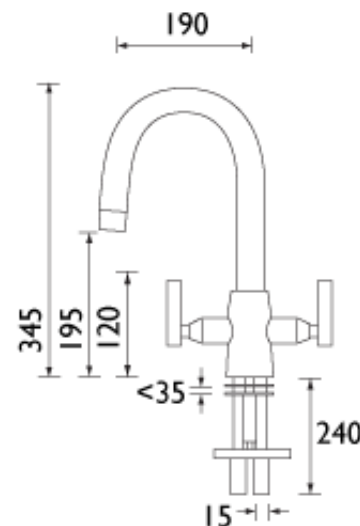
REVOLVE REVOLVE MONOBLOC SINK MIXER

Product Specification

Product Code:	RV SNK C
Finish:	Chrome
Product Type:	Contemporary
Construction:	Bodies are of all brass construction and are designed to conform to BS EN 200
Valve Type:	¼ turn ½" ceramic disc valves
Supply:	Suitable for all plumbing systems
Inlet Connections:	12mm screw-in copper tail pipes
Water Pressure:	Min. 0.2 bar, Max. 8.0 bar



© Bristan Group 2009



Additional Information

- Incorporates swivel spout and swivel spout end nozzle
- Supplied with metal handles
- Product supplied with single check valve
- Chrome plated to BS EN 248

Technical Advice: For further information please call 0844 7016273 or email customer@bristan.com.
Guarantee: 5 years covering manufacturing faults.

Compliance/Approvals

WRAS: Manufactured to comply with WRAS

Flow Rates (litres per minute)

System Pressure	0.2bar	0.5bar	1bar	2bar	3bar	5bar
Aerator (mixed)	4.35	6.88	9.96	14.76	18.08	23.34
Flow Straightener (mixed)	8.6	12.11	17.12	24.21	29.65	38.28

Bristan, Birch Coppice Business Park, Dordon, Tamworth, B78 1SG
 Telephone: 0844 701 6274 Facsimile: 0844 701 6275
 Web Site: www.bristan.com Email: enquire@bristan.com



The information contained on this page was correct at date of issue. Fitting dimensions are provided as a guide only. Some variation may occur due to manufacturing tolerances. Bristan pursues a policy of continuing improvement in design and performance of its products and so reserves the right to change specifications without prior notice.