

TECHNICAL DATASHEET

VEGAS

VEGAS SINK MIXER

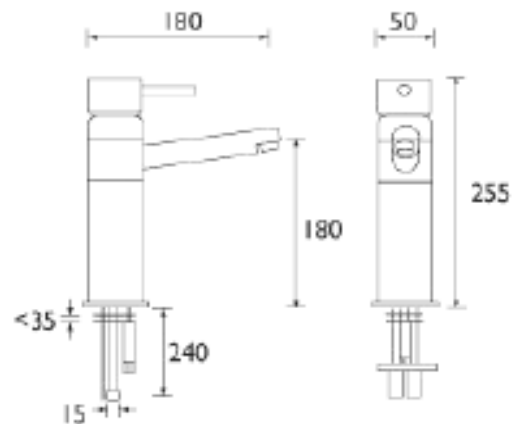
Product Specification

Product Code:	VG SNK C
Finish:	Chrome
Product Type:	Contemporary
Construction:	Body is of brass construction and is designed to conform to BS EN 817
Cartridge Type:	35mm flat base cartridge
Supply:	Suitable for all plumbing systems
Inlet Connections:	Flexible inlet tail pipes with G ½" (male connections)
Water Pressure:	Min. 0.5 bar, Max. 8.0 bar



Additional Information

- Supplied with single check valves in each inlet tail
- Compatible with following flow limiters:
 - ECO TAP1
 - ECO TAP2
 - ECO TAP3
 - ECO TAP4
 - ECO TAP5
 - ECO TAP6
- Flow limiters have to be fitted into a 15mm compression fitting.
- Chrome plated to BS EN 248.



Technical Advice: For further information please call 0844 7016273 or email customer care@bristan.com.
Guarantee: 5 years covering manufacturing faults.

Compliance/Approvals

WRAS: Certificate No. 0910326

Flow Rates (litres per minute)

System Pressure	0.5bar	1bar	2bar	3bar	4bar	5bar
VG SNK C	6.3	9.1	13.2	16.2	18.8	21.0