

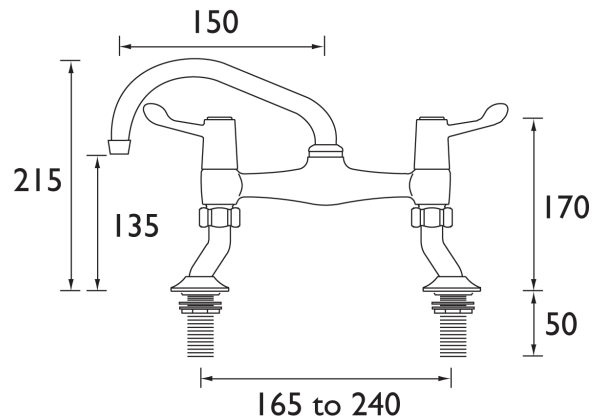
VALUE LEVER

VALUE LEVER PILLAR BRIDGE SINK MIXER WITH 3" LEVERS



Product Specification

Product Code:	VAL PSNK C CD
Finishes:	Chrome
Product Type:	Contemporary
Construction:	Tap bodies are of all brass construction
Valve Type:	¼ Turn ½" ceramic disc valve
Supply:	Suitable for all plumbing systems, preferably balanced
Inlet Connections:	½" BSP
Water Pressure:	Min 0.2 bar, Max. 7.0 bar



Additional Information

- Dual flow
- Supplied with 3" (76mm) metal levers
- Supplied with metal back nuts
- Chrome plated to BS EN 248

Technical Advice: For further information please call 0844 7016273 or email customer care@bristan.com
Guarantee: 5 years covering manufacturing faults

Compliance/Approvals

WRAS: Certificate No. 0910007

Flow Rates (litres per minute)

System Pressure	0.2bar	0.4bar	1bar	2bar	3bar	5bar
Pillar Sink Mixer	8.9	12.9	19.5	28.5	34.9	45.0

