

## NERO

### NERO BASIN MIXER WITHOUT WASTE

#### Product Specification

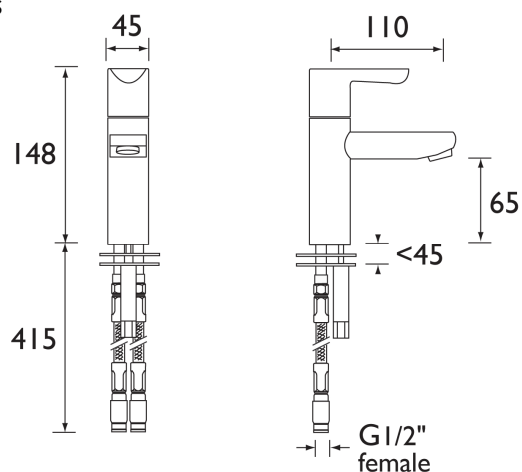
<b>Product Code:</b>	NR BASNW C
<b>Finish:</b>	Chrome
<b>Product Type:</b>	Contemporary
<b>Construction:</b>	Body is of brass construction and is designed to conform to BS EN 817
<b>Cartridge Type:</b>	Ceramic disc cartridge
<b>Supply:</b>	Suitable for all plumbing systems, ideally balanced
<b>Inlet Connections:</b>	Screw-in flexible connection tail pipes
<b>Water Pressure:</b>	Min. 0.2 bar, Max. 8.0 bar



© Bristan Group 2009

#### Additional Information

- Supplied with metal lever.
- Chrome plated to BS EN 248.



**Technical Advice:** For further information please call 0844 7016273 or email [customercare@bristan.com](mailto:customercare@bristan.com).  
**Guarantee:** 5 years covering manufacturing faults.

#### Compliance/Approvals

**WRAS:** Certificate No. 1102007

#### Flow Rates (litres per minute)

System Pressure	0.2bar	0.5bar	1bar	2bar	3bar	5bar
NR BASNW C (mixed)	8.4	11.0	15.8	22.7	27.9	36.3