

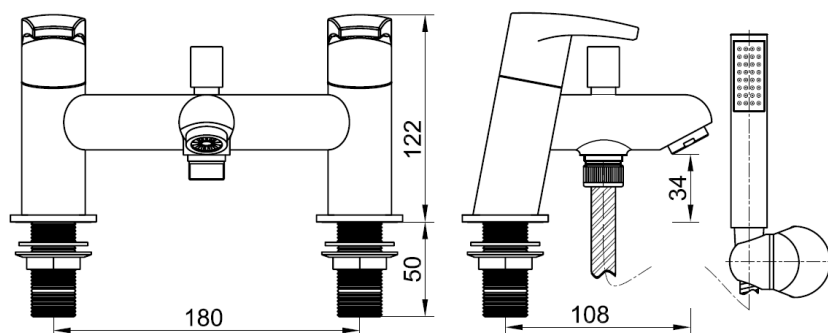
TECHNICAL DATA SHEET

BRISTAN

ORTA BATH SHOWER MIXER CHROME

Product Specification

Product Code:	OR BSM C
Finish:	Chrome
Product Type:	Contemporary
Construction:	Body is of brass construction
Valve Type:	3/4" Ceramic disc valve 1/4 turn
Supply:	Suitable for all plumbing systems
Inlet Connections:	2 x 3/4" BSP threaded tails
Outlet Connection:	M24 Flow straightener
Water Pressure:	Min 0.2bar Max 7.0bar



Additional Information

- Metal back nuts and handles.
- Chrome plated to BS EN 248.
- Supplied with 1750mm shower hose, rub clean handset and wall bracket.

Technical Advice: For further information please call 0844 7016273 or email customer@bristan.com
Guarantee: 5 years covering manufacturing faults.

Compliance/Approvals

WRAS: Certificate No: 1209122

Flow Rates (litres per minute, open outlet)

System Pressure	0.2bar	0.5bar	1bar	2bar	3bar	5bar
OR BSM C (bath fill)	17.2	28.1	40.3	58.0	71.3	118.90
OR BSM C (handset)	3.5	6.1	9.3	15.3	20.1	27.1

Bristan, Birch Coppice Business Park, Dordon, Tamworth, B78 1SG
 Telephone: 0844 701 6274 Facsimile: 0844 701 6275
 Web Site: www.bristan.com Email: enquire@bristan.com



D2

The information contained on this page was correct at date of issue. Fitting dimensions are provided as a guide only. Some variation may occur due to manufacturing tolerances. Bristan pursues a policy of continuing improvement in design and performance of its products and so reserves the right to change specifications without prior notice.