

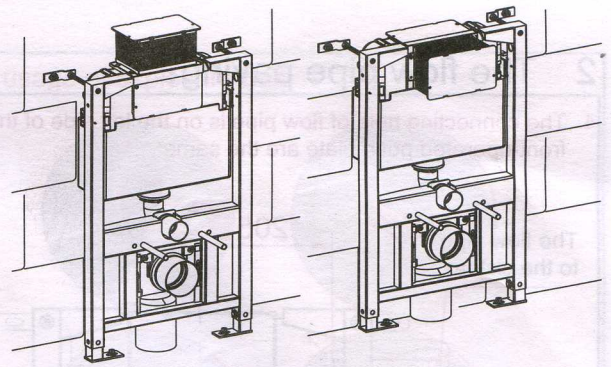
The Installing Instruction For Concealed Tank

Important remind:

1. Please read through this Instructions carefully prior to installation, and this company shall not be responsible for any loss caused by installation not in conformity with this Instructions.
2. Pls confirm the fixation position for the frame before installing, and the FFL according to overall fitment arrangement indoor. Line out the FFL on the wall and always regard FLL as datum line of 0 height.

Note: Pls install the cistern before paving the bricks.
The dimension is millimeter.

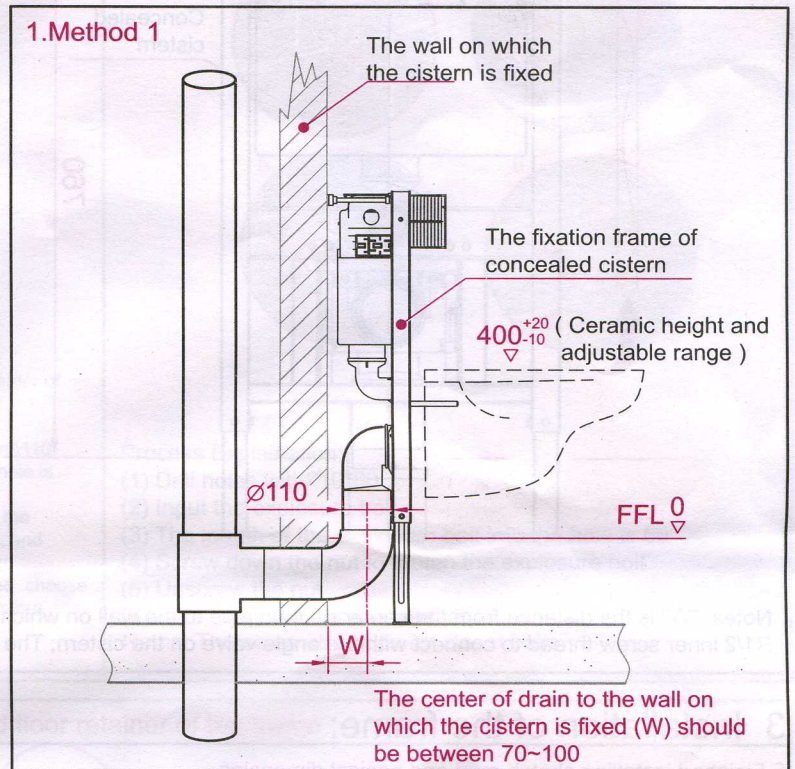
⚠ FFL ∇ = FFL of finish face, all dimension is millimeter



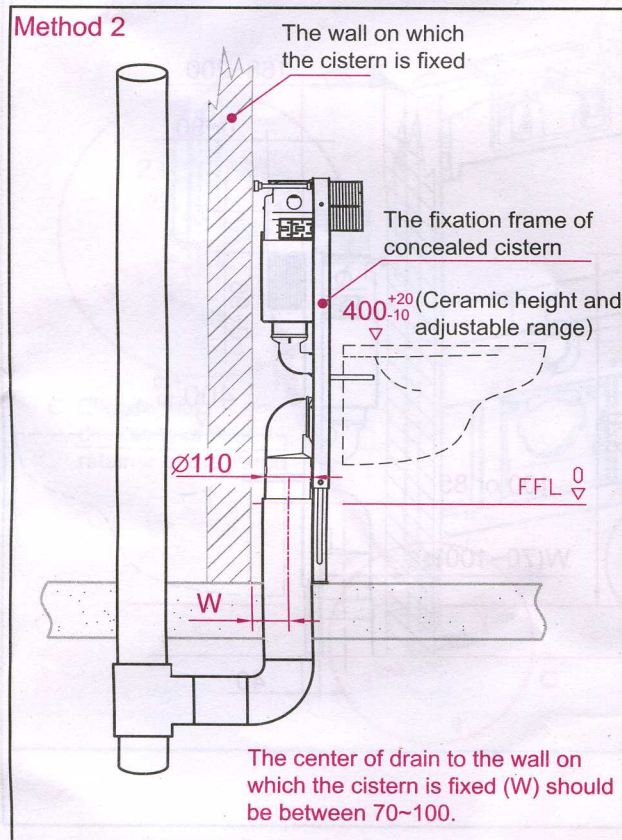
1 Drain pipe paving:

Pictures 1~3 are the examples of installing the drain pipes. Users should decide on actual situation of drain orifice. If the drain orifice doesn't belong to any example demonstrated, then pls pave the drain orifice same as one of the examples demonstrated in advance. Drain pipe of this cistern has two output methods, pls refer to the picture 9.

1. Method 1



Method 2



Method 3

