

TECHNICAL DATA SHEET

GLEE ELECTRIC SHOWERS

Glee 8.5kW / 9.5kW / 10.5kW

Product Specification

Product Code:	GLE85 W / GLE95 W / GLE105 W GLE85 B / GLE95 B / GLE105 B
Finish:	White or Gloss Black
Product Type:	Contemporary
Construction:	Plastic (ABS)
Supply:	Suitable for mains cold feed only
Inlet Connections:	15mm push fit, 5 directional options
Outlet Connections:	G ½"
Working Pressures:	Min 0.7bar, Max 10.0bar



Additional Information

- Instantaneous electric shower drawing water direct from the mains supply; ideal for installations without stored hot water and second bathrooms.
- Digital display temperature indicator
- Consistent showering temperature is provided. The temperature stabilising device compensated for changes in the water pressure caused by other household fittings.
- Safety devices include thermal cut out & pressure relief.
- 3 Power settings. (Cold, Warm/Eco, Hot) and a separate temperature control.
- On/Off is operated by Push Button, ensuring temperature setting remains unaffected after each use.
- Safety warning letters in a display panel indicate low pressure and therefore the shower should be turned off until pressure resumes.
- The phased shut down feature ensures all hot water is flushed out of the shower after use prolonging the shower life. This ensures lime scale build up is kept to a minimum.
- Push fit swivel inlet elbow pipe connection, enabling plumbing from 5 different directions.
- This shower is supplied with an adjustable riser kit and 3 mode rub-clean handset. The riser has a built in soap tray & integral hose retainer.
- Adjustable riser comes complete with adjustable bottom bracket so ideal to cover existing riser holes and tile joints.
- Incorporates a temperature control device (TCD) that activates when the temperature is too high & the water inside the heater gets too hot. The TCD will switch off the power to the heating elements and once the unit cools down to a safe temperature, will come on again.

TECHNICAL DATA SHEET

BRISTAN

Technical Advice: For further information please call 0844 7016273 or email customercare@bristan.com

Guarantee: 2 years covering manufacturing faults.

Compliance / Approvals

WRAS: Manufactured to comply with WRAS

BEAB safety: IWH 0758

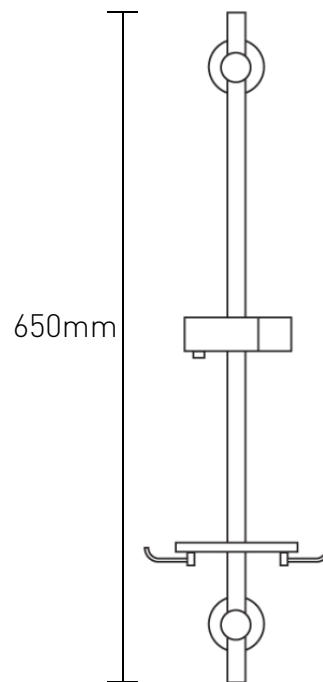
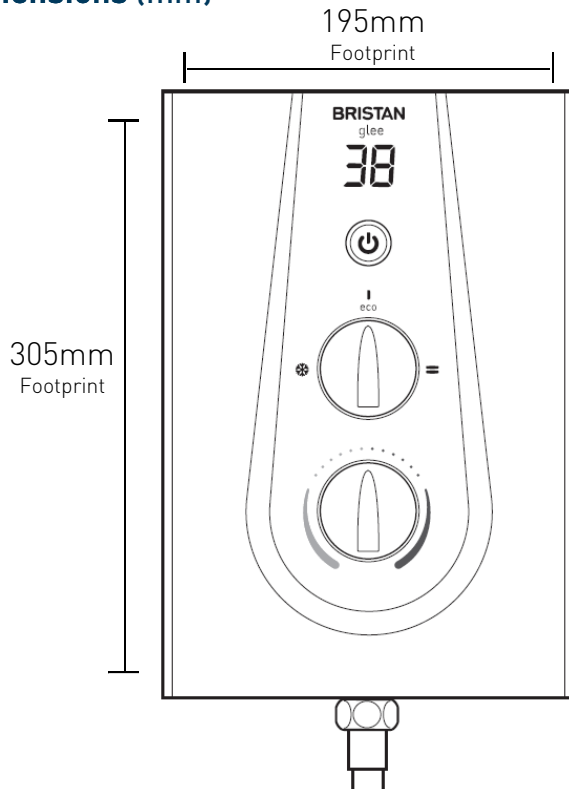
BEAB EMC: IWH 0762

CE Mark: 

Flow Rates (litres per minute)

System Pressure	8.5kW	9.5kW	10.5kW
Maximum Flow @ 40°C	4.0	4.5	5.0

Dimensions (mm)



The height of the bottom bracket adjusts to cover existing wall fixing holes