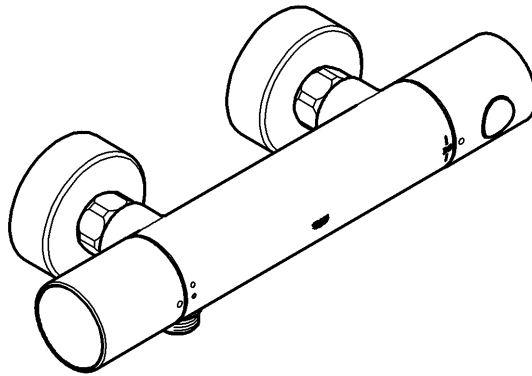
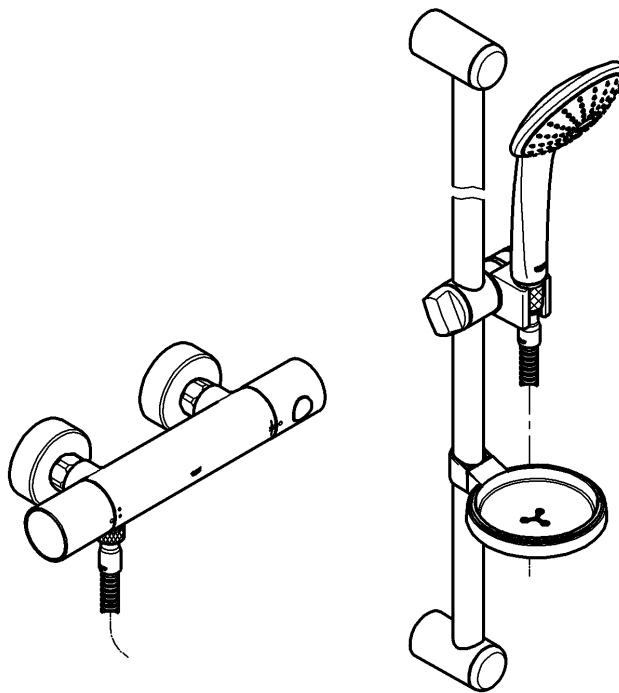


34 430



34 437



Grohtherm 1000 Cosmopolitan

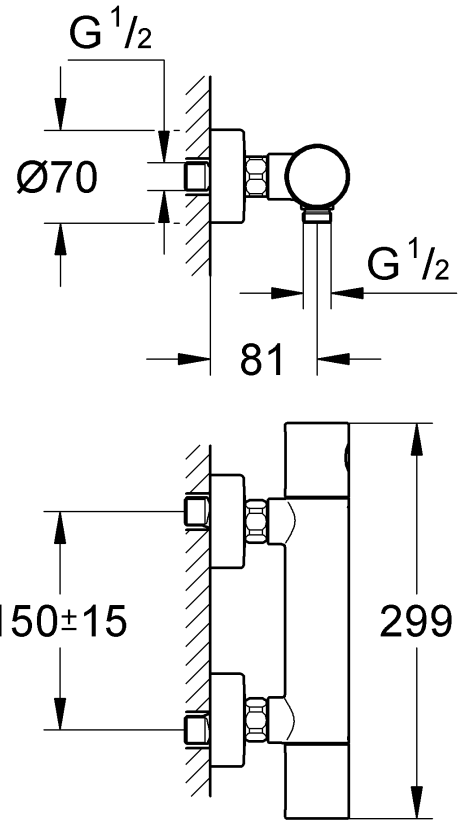
## Grohtherm 1000 Cosmopolitan

Design & Quality Engineering GROHE Germany

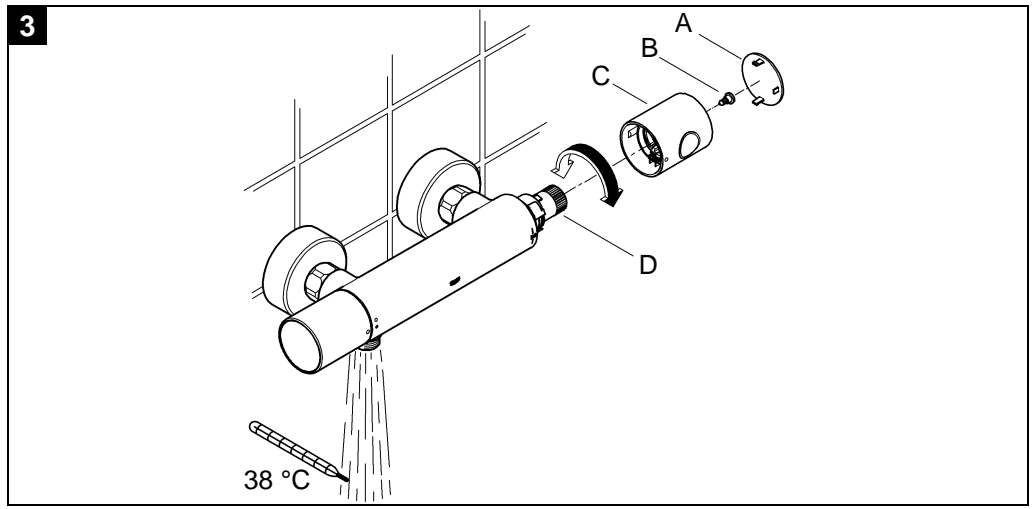
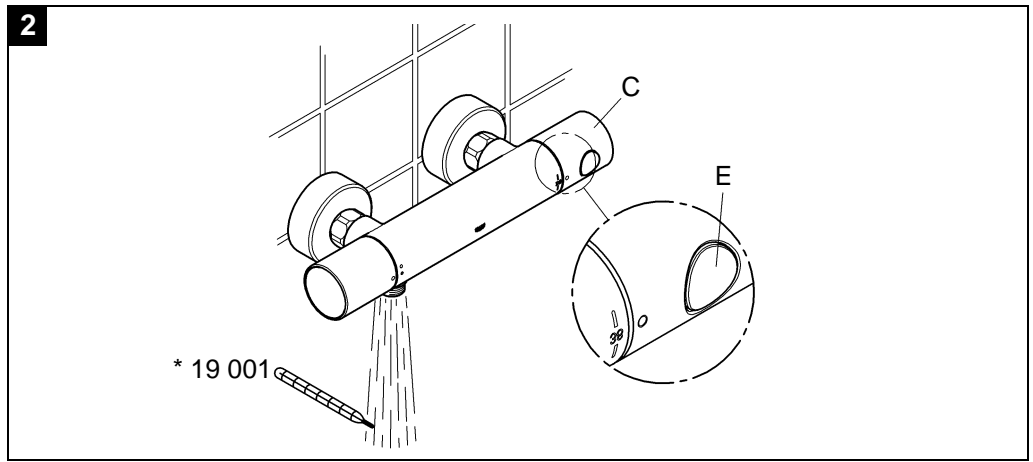
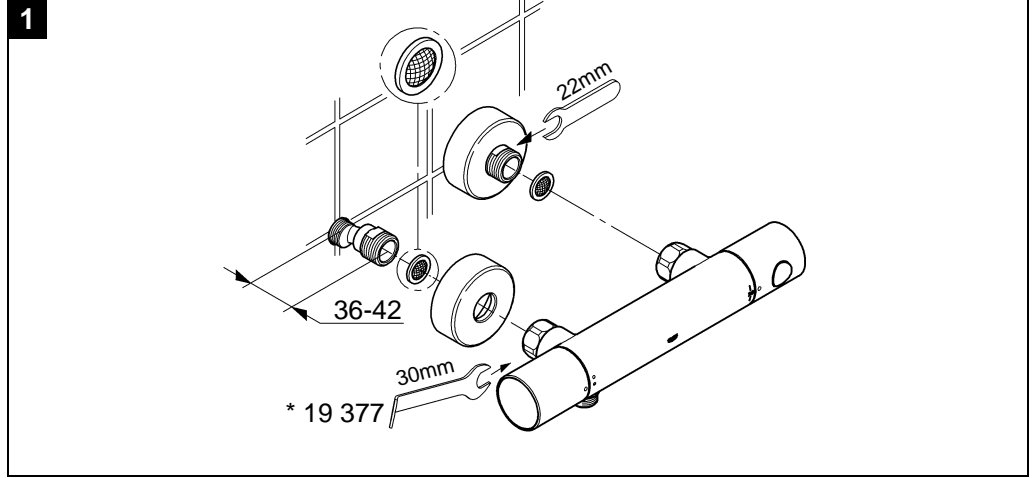
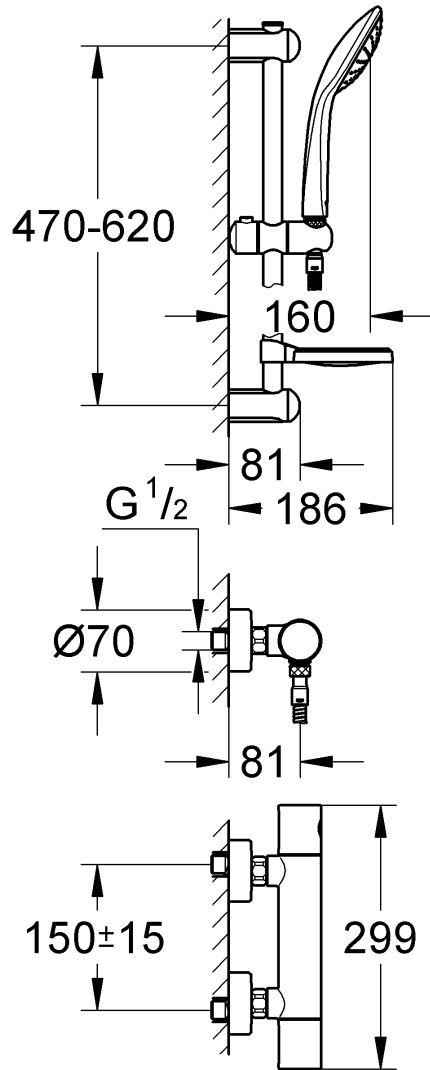
99.829.031/ÄM 222430/02.12

**GROHE**  
ENJOY WATER®

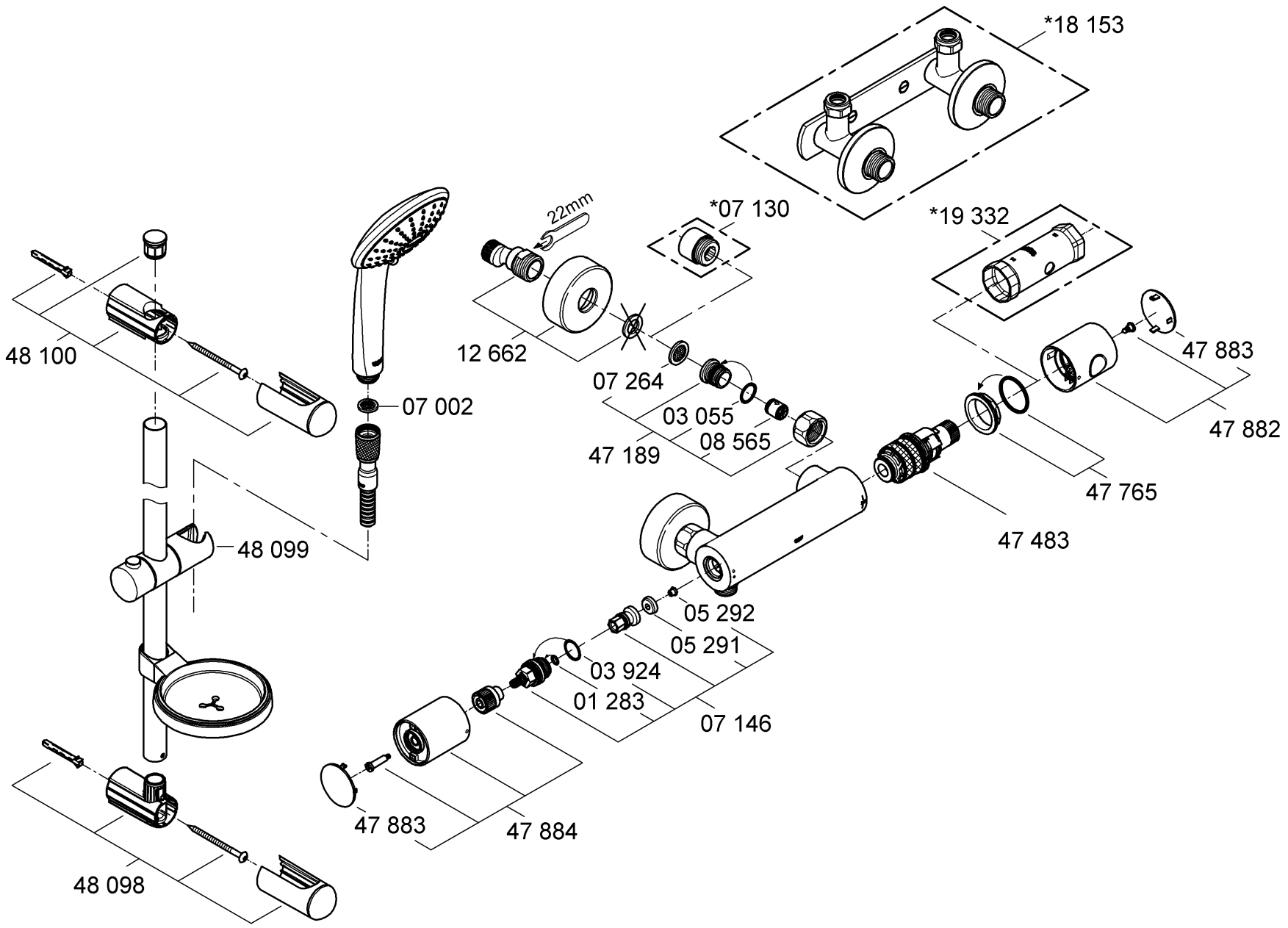
34 430



34 437



Please pass these instructions on to the end user of the fitting!





## Application

Thermostat mixers are designed for hot water supply via pressurised storage heaters and, utilised in this way, provide the best temperature accuracy. With sufficient power output (from 18 kW or 250 kcal/min), electric or gas instantaneous heaters are also suitable.

Thermostats **cannot** be used in conjunction with non-pressurised storage heaters (displacement water heaters).

All thermostats are adjusted in the factory at a flow pressure of 3 bar on both sides.

Should temperature deviations occur on account of special installation conditions, the thermostat must be adapted to local conditions (see Adjusting).

## Specifications

- Minimum flow pressure 0.1 bar
- Maximum operating pressure 10 bar
- Test pressure 16 bar

If static pressure is greater than 5 bar, fit pressure reducer.

Avoid major pressure differences between cold and hot water supply.

- Maximum difference between cold- and hot water supply pressure: 1: 5
- Flow rate at 0.1 bar flow pressure without downstream restrictor: approx. 5.5 l/min
- Flow rate at 3 bar flow pressure: approx. 42 l/min
- Temperature
  - Hot water inlet (maximum): 80 °C
  - Recommended (energy saving): 60 °C
  - Safety stop: 38 °C
- Water connection
  - cold - right
  - hot - left
- Minimum flow rate: = 5 l/min

## Installation

Flush piping system prior and after installation of fitting thoroughly (Consider EN 806)!

Install S-unions and screw-mount the mixer, see fold-out page I, Fig. [1].

Refer to the dimensional drawings on fold-out page I.

The projection can be increased by 20mm with an extension, see Replacement Parts, fold-out page II, Prod. no. 07 130.

For better fixing into dry-lined walls a mounting frame can be used (see Replacement Parts, fold-out page II, Prod. no.: 18 153).

## Adjustment

**Temperature adjustment**, see Figs. [2] and [3].

1. Open the shut-off valve and check the temperature of the water with a thermometer, see Fig. [2].
2. Lever out cap (A), see Fig. [3].
3. Remove screw (B).
4. Detach temperature control handle (C).
5. Turn regulating nut (D) until the water temperature has reached 38 °C.
6. Install temperature control handle (C) so that button (E) points towards the front, see Fig. [2].
7. Screw in screw (B), see Fig. [3].
8. Refit cap (A).

## Temperature limitation

The safety stop limits the temperature range to 38 °C. The 38°C limit can be overridden by pressing the button (E).

## Prevention of frost damage

When the domestic water system is drained, thermostat mixers must be drained separately, since non-return valves are installed in the hot and cold water connections. For this purpose, the mixer must be removed from the wall.

## Maintenance

Inspect and clean all parts, replace if necessary and lubricate with special valve grease.

## Shut off the hot and cold water supply.

**I. Non-return valve (F)**, see fold-out page III, Fig. [4].

- Remove connection nipple (G) by turning clockwise (left-hand thread) using a 12mm allen key.

Install in reverse order.

**II. Thermostatic compact cartridge (H)**, see fold-out page III, Fig. [5].

- Loosen screw ring (J) using a 34mm tool.
- If necessary, lever out thermostatic compact cartridge (H) via recess (H1).
- Remove screw ring (J).

Install in reverse order.

**Observe the correct installation position of the thermostatic compact cartridge (H)**, see detail (H2).

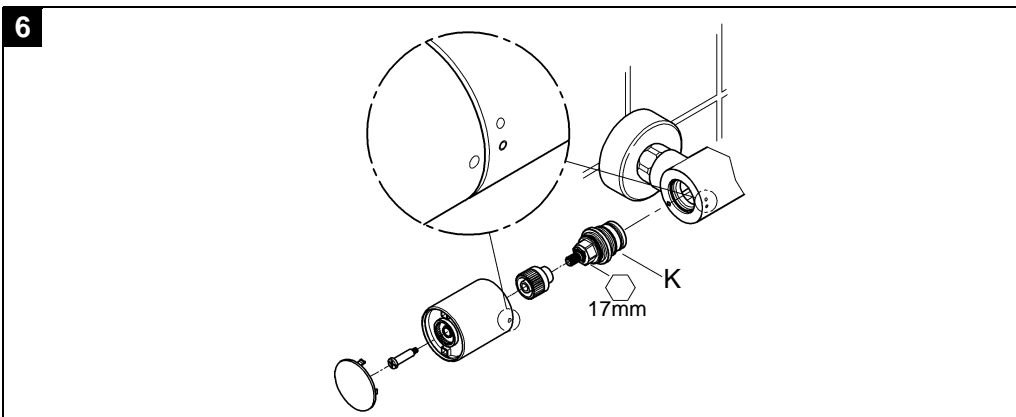
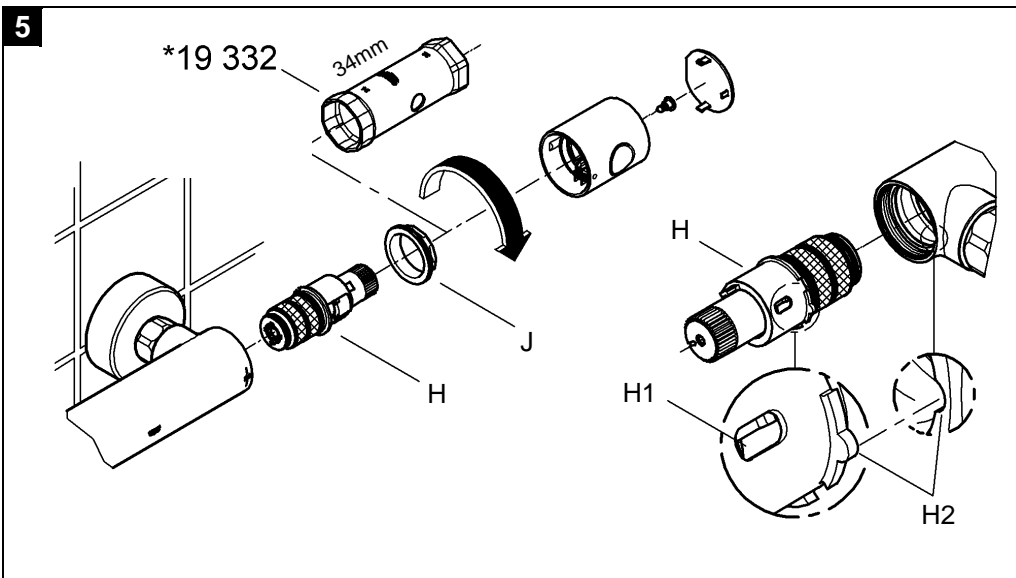
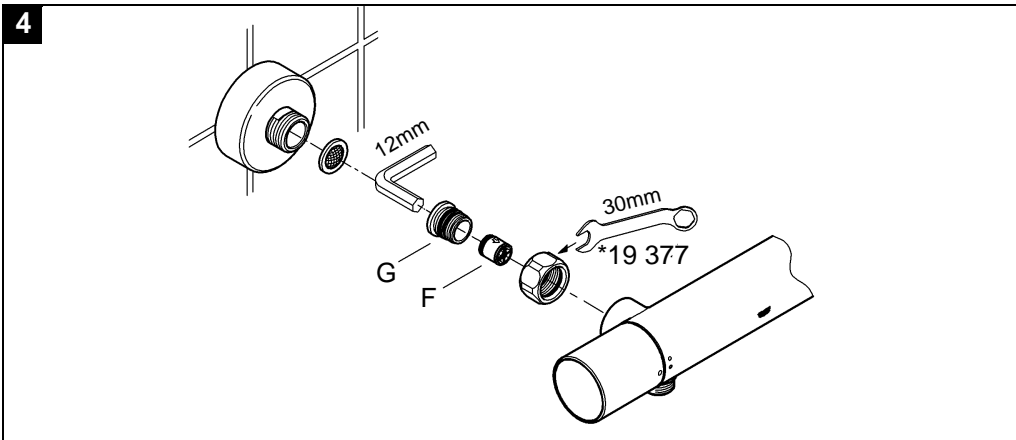
Readjustment is necessary after every maintenance operation on the thermostatic compact cartridge (see Adjusting).

**III. Headpart (K)**, see fold-out page III, Fig. [6].

**Replacement Parts**, see fold-out pages II (\* = special accessories).

## Care

For directions on the care of this fitting, refer to the accompanying Care Instructions.



**D**  
Grohe Deutschland  
Vertriebs GmbH  
Zur Porta 9  
32457 Porta Westfalica  
Tel.: +49 571 3989-333  
Fax: +49 571 3989-999

**A**  
GROHE Ges.m.b.H.  
Wienerbergstraße 11/A7  
1100 Wien  
Tel.: +43 1 68060  
Fax: +43 1 6884535

**B**  
GROHE nv - sa  
Diependaalweg 4a  
3020 Winksele  
Tel.: +32 16 230660  
Fax: +32 16 239070

**BG**  
Търговско представителство  
Grohe AG България  
етаж 8, офис 21  
Бул. България 81 Б  
1404 София  
Тел.: +359 2 9719959  
+359 2 9712535  
Факс.: +359 2 9712422

**CDN**  
GROHE Canada Inc.  
1230 Lakeshore Road East  
Mississauga, Ontario  
Canada, L5E 1E9  
Tel.: +1 905 2712929  
Fax: +1 905 2719494

**CH**  
Grohe Switzerland SA  
Bauarena Volketswil  
Industriestrasse 18  
8604 Volketswil  
Tel.: +41 44 8777300  
Fax: +41 44 8777320

**CN**  
高仪 (上海)  
卫生洁具有限公司  
上海市黄陂北路227号  
中区广场607-610室  
电话: +86 21 63758878  
传真: +86 21 63758665

**CY**  
GROME Marketing (Cyprus) Ltd.  
195B, Old Nicosia-Limassol Road  
Dhali Industrial Zone  
P.O. Box 27048  
1641 Nicosia  
Tel.: +357 22 465200  
Fax: +357 22 379188

**CZ SK**  
Grohe ČR s.r.o.  
Zastoupení pro ČR a SR  
V Oblouku 104, Čestlice  
252 43 Průhonice  
Tel.: +420 22509 1082  
Fax: +420 22509 1085

[www.grohe.com](http://www.grohe.com)

2011 / 09 / 30

**DK**  
GROHE A/S  
Walgerholm 11  
3500 Vaerløse  
Tel.: +45 44 656800  
Fax: +45 44 650252

**E**  
GROHE España S.A.  
C/ Botanica, 78 - 88  
Gran Via L'H - Distr. Econòmic  
08908 L'Hospitalet de Llobregat  
(Barcelona)  
Tel.: +34 93 3368850  
Fax: +34 93 3368851

**EST LT LV**  
GROHE AG Eesti filiaal  
Tartu mnt 16  
10117 Tallinn  
Tel.: +372 6616354  
Fax: +372 6616364

**F**  
GROHE s.à.r.l.  
60, Boulevard de la Mission  
Marchand  
92400 Courbevoie - La Défense  
Tel.: +33 1 49972900  
Fax: +33 1 55702038

**FIN**  
Oy Teknocalor Ab  
Sinikellonkuja 4  
01300 Vantaa  
Tel.: +358 9 8254600  
Fax: +358 9 826151

**GB**  
GROHE Limited  
Blays House, Wick Road  
Englefield Green  
Egham, Surrey, TW20 0HJ  
Tel.: +44 871 200 3414  
Fax: +44 871 200 3415

**GR**  
N. Sapountzis S.A.  
86, Kapodistriou & Roumelis Str.  
142 35 N. Ionia - Athens  
Tel.: +30 210 2712908  
Fax: +30 210 2715608

**H**  
GROHE Hungary Kft.  
Röppentyű u. 53.  
1139 Budapest  
Tel.: +36 1 238 80 45  
Fax: +36 1 238 07 13

**HR**  
GROHE AG - Predstavništvo  
Štefanovečka 10  
10000 Zagreb  
Tel.: +385 1 2989025  
Fax: +385 1 2910962

**I**  
Grohe S.p.A.  
Via Crocefisso, 19  
20122 Milano  
Tel.: +39 2 959401  
Fax: +39 2 95940263

**IND**  
Grohe India Pvt. Ltd.  
14th Floor  
DLF Building No. 5, Tower A  
DLF Cyber City, Phase III  
Gurgaon - 122002  
Haryana  
Tel.: +91 124 4933 000  
Fax: +91 124 4933 001

**IS**  
BYKO hf.  
Skemmuvegi 2  
200 Kópavogur  
Tel.: +354 515 4000  
Fax: +354 515 4099

**J**  
Grohe Japan Ltd.  
TRC Building, 3F  
1-1 Heiwajima 6-chome, Ota-ku  
Tokyo 143-0006  
Tel.: +81 3 32989730  
Fax: +81 3 37673811

**N**  
GROHE A/S  
Nils Hansens vei 20  
0667 Oslo  
Tel.: +47 22 072070  
Fax: +47 22 072071

**NL**  
GROHE Nederland BV  
Metaalstraat 2  
2718 SW Zoetermeer  
Tel.: +31 79 3680133  
Fax: +31 79 3615129

**P**  
GROHE Portugal  
Componentes Sanitários, LDA  
Zona Industrial de Areeiros,  
Apt. 167  
3850-200 Albergaria-a-Velha  
Tel.: +351 234 529 900  
Fax: +351 234 529 901

**PL**  
GROHE Polska Sp. z o.o.  
Pulawska 182 Street  
02-670 Warszawa  
Tel.: +48 22 5432 640  
Fax: +48 22 5432 650

**RUS**  
Представительство  
Grohe AG  
Москва, ул. Пусаковская 13, стр. 1  
107140  
тел.: +7 495 9819510  
факс: +7 495 9819511

**RO**  
Grohe AG Reprezentanta  
Strada Nicolae Iorga 13,  
Corp B  
010432 Bucuresti (Sector 1)  
Tel.: +40 21 2125050  
Fax: +40 21 2125048

**S**  
GROHE A/S  
Kungsängsvägen 25  
753 23 Uppsala  
Tel.: +46 771 141314  
Fax: +46 771 141315

**SLO**  
GROSAN inženiring d.o.o.  
Slandrova 4  
1000 Ljubljana  
Tel.: +386 1 5633060  
Fax: +386 1 5633061

**TR**  
GROME IC Ve Dis Ticaret  
Limited Sirketi  
Sun Plaza - Dereboyu Caddesi  
Bilim Sokak. No: 5 Kat:10  
34398 Maslak-Istanbul  
Tel.: +90 212 3281344  
Fax: +90 212 3281772

**UA**  
Представництво  
Grohe AG Україна  
Вул. Івана Франка, 18-А  
01030 Київ  
тел.: +38 044 537 52 73  
факс: +38 044 590 01 96

**USA**  
GROHE America Inc.  
241 Covington Drive  
Bloomingtondale  
Illinois, 61018  
Tel.: +1 630 5827711  
Fax: +1 630 5827722

**Eastern Mediterranean  
Middle East - Africa  
Area Sales Office:**  
GROME Marketing (Cyprus) Ltd.  
195B, Old Nicosia-Limassol Road  
Dhali Industrial Zone  
P.O. Box 27048  
1641 Nicosia  
Tel.: +357 22 465200  
Fax: +357 22 379188

**Far East Area Sales Office:**  
GROHE Pacific Pte. Ltd.  
180 Clemenceau Avenue  
# 01-01/02 Haw Par Centre  
Singapore 239922  
Tel.: +65 6311 3600  
Fax: +65 6378 0855

**GROHE**  
  
ENJOY WATER®