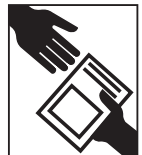
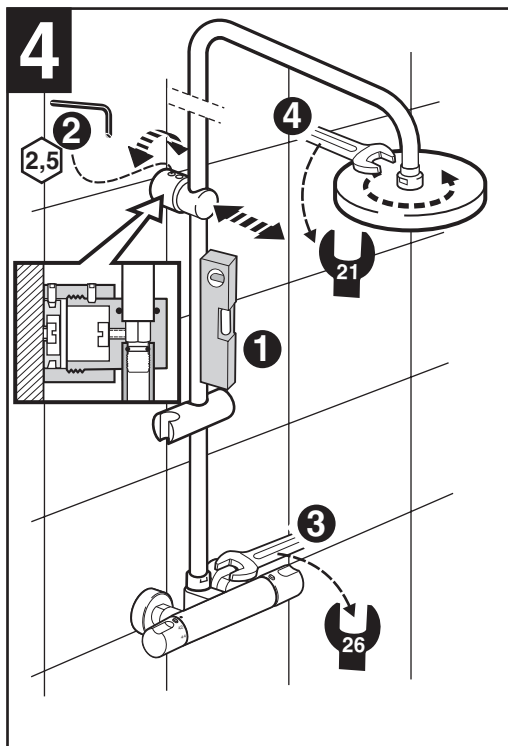
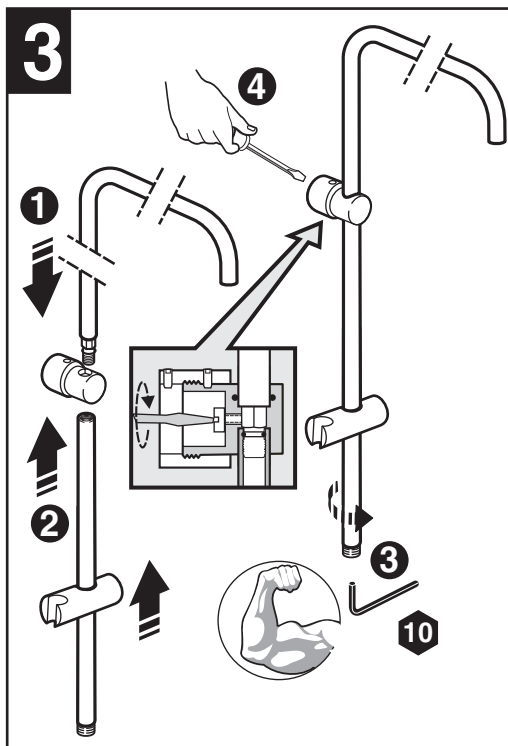
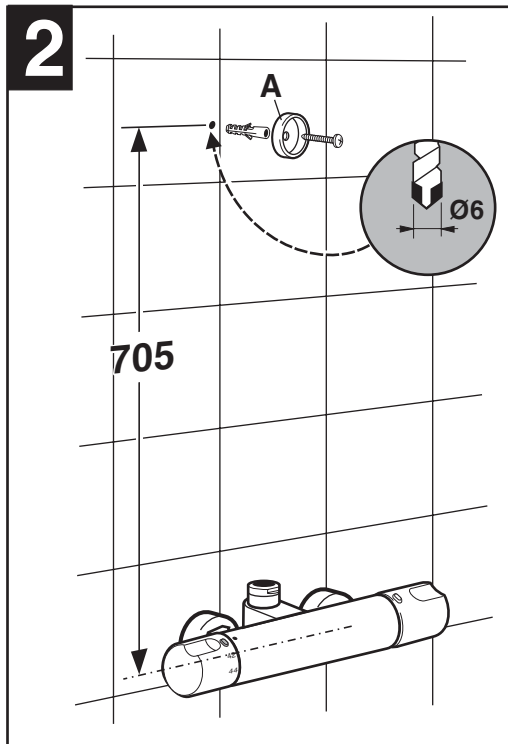
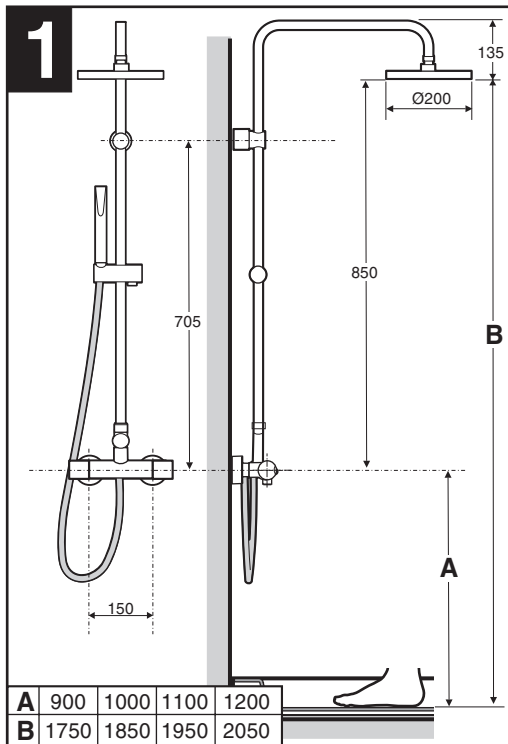


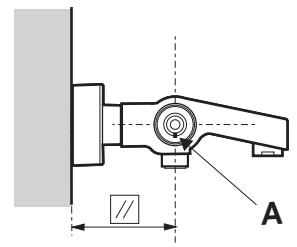
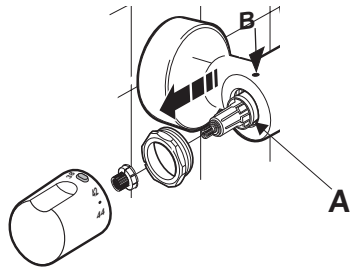
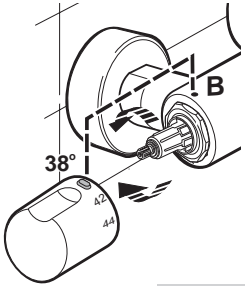
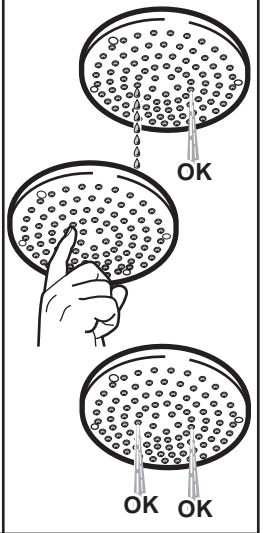
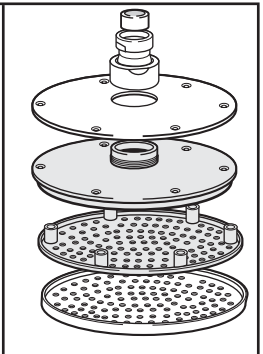
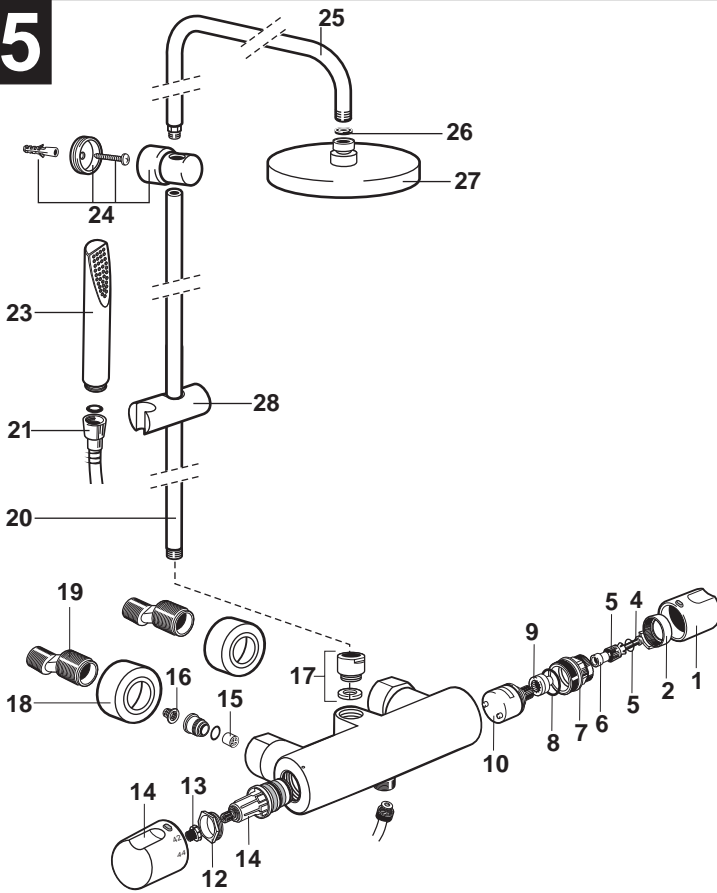
Roca





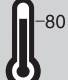
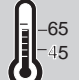



MOAI
5A9746

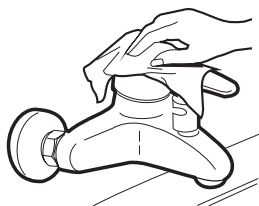
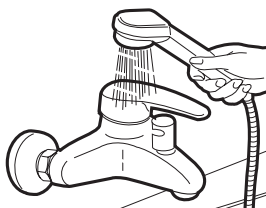
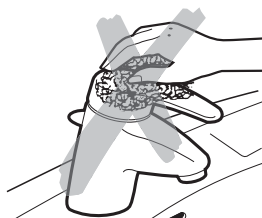
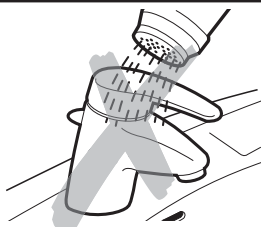
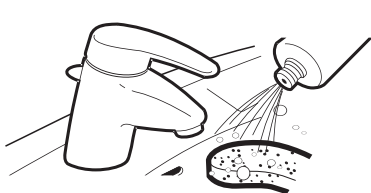




5



	P	P bar		
	T	°C		
	Q	l/min		
	(3 bar)		12	18



1 - 524527300
2 - 553351407
3 - 542624503
4 - 522760903
5 - 523783707
6 - 522418203
7 - 522635800

8 - 553351007
9 - 522419503
10 - 525942803
11 - 505908203
12 - 522634103
13 - 523784707
14 - 524527200

15 - 523368607
16 - 543360107
17 - 505717600
18 - 542816600
19 - 521671103
20 - 504251000
21 - 525761100

22 - 505716400
23 - 5B9047C00
24 - 505718700
25 - 504250700
26 - 543355207
27 - 5B9850C00
28 - 505716400

Roca Sanitario, S.A.

Avda. Diagonal, 513
08029 Barcelona SPAIN
Teléfono 93 366 1200
Fax 93 419 4501
www.roca.es

Roca