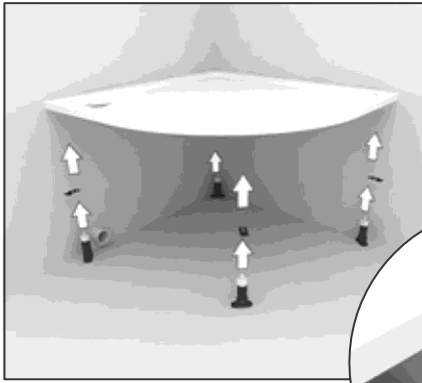
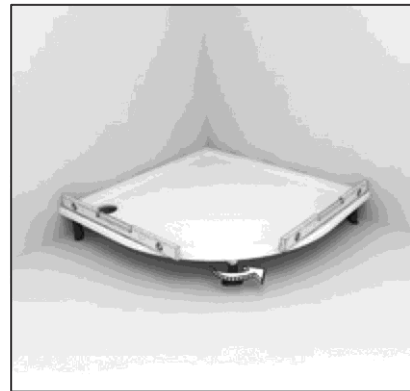
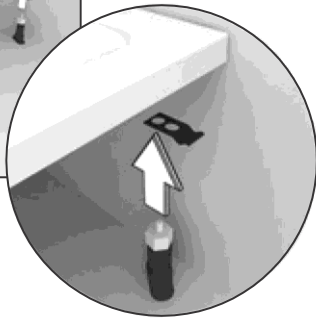


LEG & PANEL PACK FITTING INSTRUCTIONS

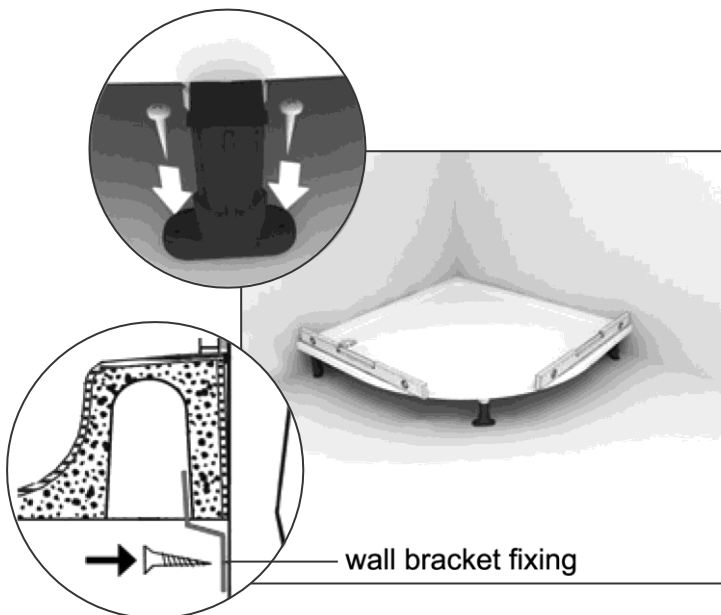
Raised tray installation instructions. Please read these instructions prior to installation.



1. Fix the legs and panel clips (1 per leg) to the base of the tray by screwing the leg through the clip and into the brass inserts (which are installed into the base of the tray as standard) to give an evenly supported structure.



2. Adjust the height of the legs to ensure that the cover panel will fit and that the shower tray is level.



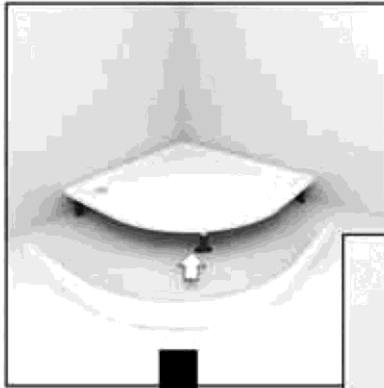
3. Level the tray around the rim, place a bowl under the tray, pour in water.

As the tray skin is slip resistant, large droplets of water will remain but large pools should not be evident.

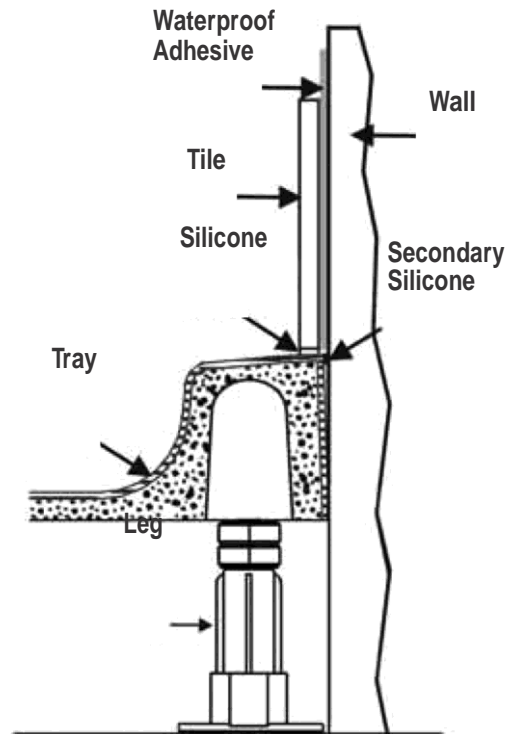
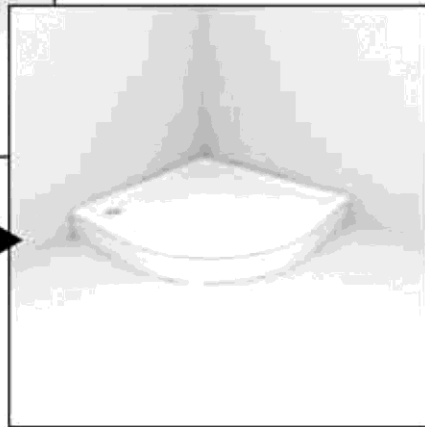
Fit the waste to the tray (as per manufacturers recommendation). We recommend the use of a fast flow waste with this tray. Be careful not to obstruct the waste under the tray as this may cause leakage. Ensure the tray is positioned against both walls. Again, ensure the tray is level using a spirit level. Connect the waste pipe to the waste and water test the connections for leaks and tray water retention.

Once you are happy with the installation process, fasten the legs to the floor with suitable screws (not included). Use the wall bracket fixings provided to secure the tray to the walls.

LEG & PANEL PACK FITTING INSTRUCTIONS



4. Push the cover panel into place using the panel clips under the lip of the tray to secure.



5. Once in position apply a secondary silicone seal between the tray and the wall. Tile down onto the tray on each wall using suitable waterproof adhesive then grout the tiles using an anti-fungal grout. Then silicone around the area where the tray meets the tiled wall.

