

ROBUS®

QUALITY PRODUCTS BY LED GROUP

10W SMD LED Golf Surface Fitting R100LED

PLEASE READ INSTRUCTION BEFORE COMMENCING INSTALLATION AND RETAIN FOR FUTURE REFERENCES.
! Electrical products can cause death or injury, or damage to property. If in any doubt about the installation or use of this product, consult a competent electrician

Note:

Product technical information and specification may change over time without prior notification
For the latest technical information please visit our web site WWW.ledgrouprobus.com or robustdirect.com

Specifications

Model No:	R100LED
Voltage:	220-240V ~ 50/60Hz
Power:	10W
Lumen:	750lm
CCT:	4000K
CRI:	80
Power Factor:	0.75
Operating Temp Range:	-10°C ~ 30°C
IP Rating:	65
IK:	09
Safety Classification:	Class I
Diameter:	Ø330mm
Depth:	118mm
Weight:	1.4kg
Warranty:	5 Years

Suitable for mounting on a normally flammable surface
This fitting is not suitable for installation where ambient air temperature is above 30°C
Complies with EN60598-1, EN60598-2-1, EN61347-1, EN61347-2-13, EN 62031,

Installation

1. Ensure mains supply is switched off before commencing work
2. Ensure there is at least 100mm of free space around the luminaire location
3. Remove trim/ diffuser and LED plate from base of the fitting
4. Drill cable entry and mounting holes in the base
5. Mark appropriate fixing hole positions on wall, check location buried cables, pipes and other building services before drilling.
6. Feed supply cables to cable entry hole and attach base to surface
7. Connect supply cables Live, Neutral and Earth to fitting terminals
8. Refit LED plate and trim/ diffuser to base

Information for the Product user:

1. Please note the requirement to dispose of Waste Electrical & Electronic Equipment separately from household waste (WEEE marked with crossed out wheelie bin symbol).
2. Please consider your role in contributing to re-use and recycling by returning this product at end of life to a collection centre for waste electrical equipment or a Civic Amenity site, or to a retail outlet from which you are purchasing a replacement.
3. This equipment may contain substances that are hazardous to health and the environment if disposed of carelessly. It is important that it is separated from normal household waste and recycled in the WEEE chain
4. The "crossed out wheelie bin symbol" on a product indicates this equipment must not be disposed of in normal household waste, but should be disposed of according to local WEEE regulations

The Installation must be carried out by an electrician

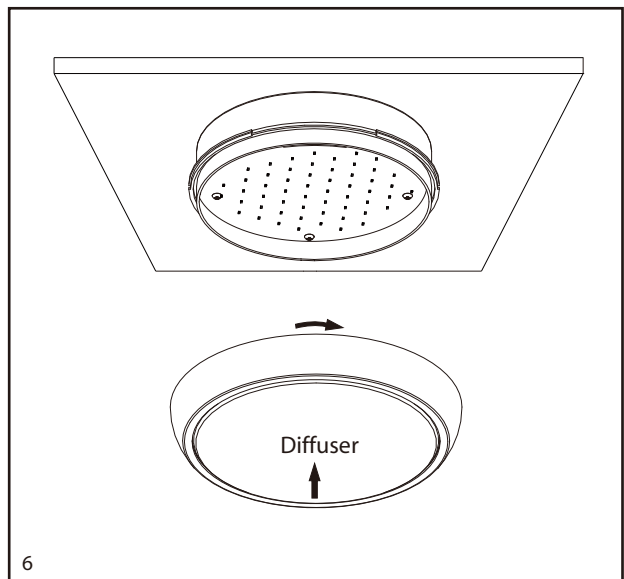
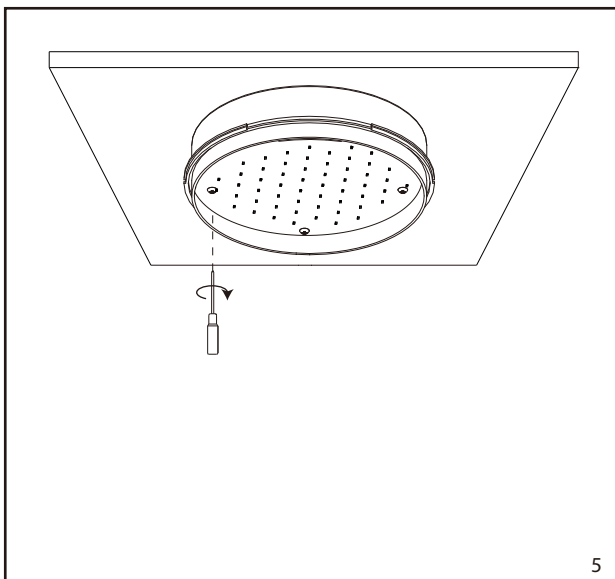
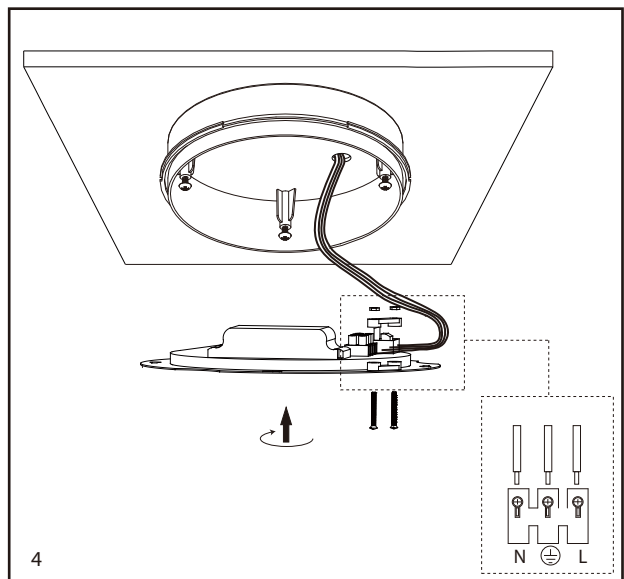
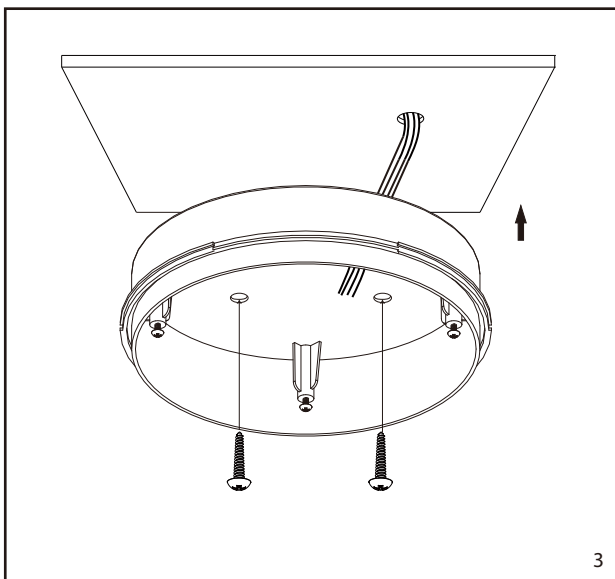
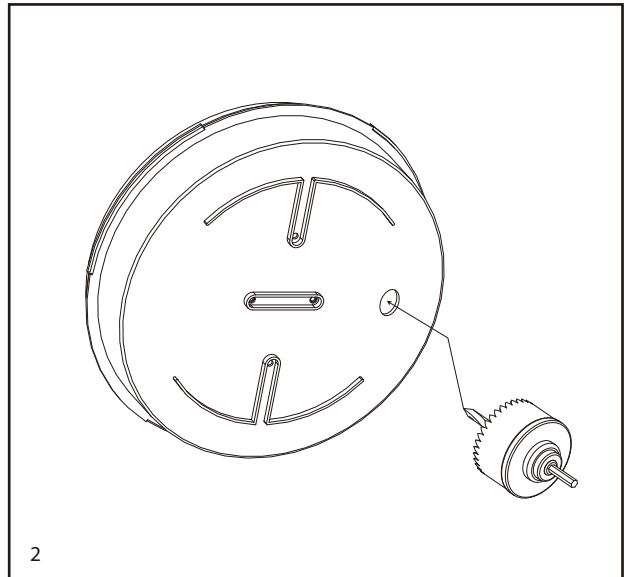
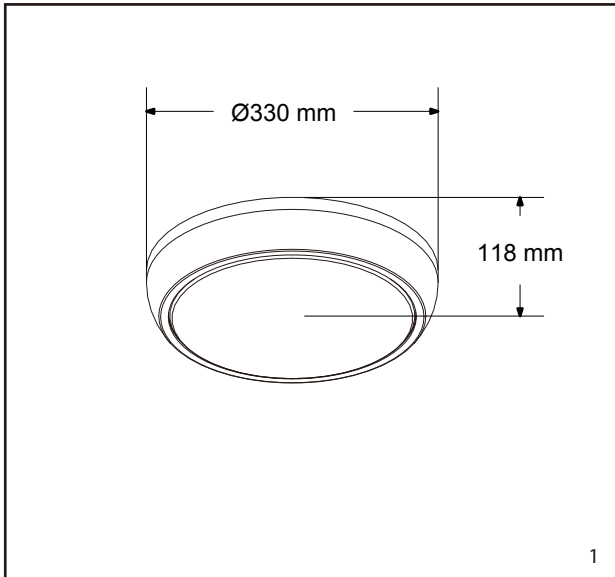
LED Group

Western Retail Park
Nangor Road
Dublin 12
Ireland
Issue 3 111114

Tel: +353 1 7099000
Fax: +353 1 7099060
Email: info@led.ie
Website: www.led.ie



Installation diagram



The Installation must be carried out by an electrician

LED Group
 Western Retail Park
 Nangor Road
 Dublin 12
 Ireland

Tel: +353 1 7099000
 Fax: +353 1 7099060
 Email: info@led.ie
 Website: www.led.ie

