

ROBUS®

QUALITY PRODUCTS BY LED GROUP

10W SMD LED Emergency Golf Surface Fitting R100LEDE

PLEASE READ INSTRUCTION BEFORE COMMENCING INSTALLATION AND RETAIN FOR FUTURE REFERENCES.
! Electrical products can cause death or injury, or damage to property. If in any doubt about the installation or use of this product, consult a competent electrician

Note:

Product technical information and specification may change over time without prior notification
For the latest technical information please visit our web site WWW.ledgrouprobust.com or robustdirect.com

Specifications

Model No:	R100LEDE
Voltage:	220-240V ~ 50/60Hz
Power:	10W
Lumen:	750lm
Lumen (emergency):	180lm
Colour Temperature:	4000K
CRI:	80
Power Factor:	0.75
IP Rating:	65
IK:	09
Operating Temp Range:	-10°C ~ 30°C
Battery	4.8V x 1.5Ah Ni-Cd
Battery Life	Greater than 4 years normal use
Discharge Duration:	>3 hours after minimum 24Hr charge
Safety Classification:	Class I
Diameter:	Ø330mm
Depth:	118mm
Weight:	1.8kg
Warranty:	5 Years
Suitable for mounting on a normally flammable surface	
This fitting is not suitable for installation where ambient air temperature is above 30°C	
Complies with EN60598-1, EN60598-2-1, EN 60598-2-22, EN61347-1, EN61347-2-13, EN 62031, EN	

Installation

1. Ensure mains supply is switched off before commencing work
 2. Ensure there is at least 100mm of free space around the luminaire location
 3. Remove trim/ diffuser and LED plate from base of the fitting
 4. Drill cable entry and mounting holes in the base
 5. Mark fixing hole positions on wall, check location buried cables, pipes or other building services before drilling.
 6. Feed supply cables to cable entry hole and attach base to surface of wall
 7. Write installation date on battery and connect battery
 8. Connect wires from unswitched supply to terminals on metal plate, brown to PL, Blue to N and green/yellow to earth; For fitting always on , link terminal "SL" to terminal "PL", fitting controlled by switch connect switched live wire to terminal SL and permanent live to PL. Note: if "SL" terminal not connected, fitting works as non-maintained.
 9. Refit LED plate and trim/ diffuser to base
- Attention: In order to protect the battery life, please disconnect the battery if the power supply shut off over 3 days.

Switch on supply:

The green led should come on indicating correct battery charge status, all LEDs will come on. When supply to the switched live PL is lost, battery will operate fitting in emergency mode.

Information for the Product user:

1. Please note the requirement to dispose of Waste Electrical & Electronic Equipment separately from household waste (WEEE marked with crossed out wheellie bin symbol).
2. Please consider your role in contributing to re-use and recycling by returning this product at end of life to a collection centre for waste electrical equipment or a Civic Amenity site, or to a retail outlet from which you are purchasing a replacement.
3. This equipment may contain substances that are hazardous to health and the environment if disposed of carelessly. It is important that it is separated from normal household waste and recycled in the WEEE chain
4. The "crossed out wheellie bin symbol" on a product indicates this equipment must not be disposed of in normal household waste, but should be disposed of according to local WEEE regulations

The Installation must be carried out by an electrician

LED Group

Western Retail Park
Nangor Road
Dublin 12
Ireland
Issue 5 290115

Tel: +353 1 7099000
Fax: +353 1 7099060
Email: info@led.ie
Website: www.led.ie



Testing

The emergency lighting must be inspected and tested regularly in accordance with local codes of practice: note: for safety reasons tests should be carried out during daylight hours.

The minimum recommended test schedule is as follows:

After installation, allow 24 hours to ensure full battery charge and then interrupt the supply; check after 3 hours that LED is still lighting.

1. Daily check that charge indicator LED is working
2. Monthly, interrupt mains for a short period and check LED lights
3. Annual 12 month check, full duration test. Interrupt mains supply, LEDs will light and should last for a minimum 3 hours operation: batteries must be replaced when they can no longer support 3 hour operation.
4. Complete record sheet on installation and retain in maintenance file.
5. Update file with ongoing test records for inspection by fire officer or other duly authorised person

Installation and Maintenance Record:

Installer _____

Installation _____

Type _____

Installation test duration & Date

Month	Test	1 st Year		2 st Year		3 st Year		4 st Year		5 st Year	
		Signed	Date	Signed	Date	Signed	Date	Signed	Date	Signed	Date
1	Short										
2	Short										
3	Short										
4	Short										
5	Short										
6	Short										
7	Short										
8	Short										
9	Short										
10	Short										
11	Short										
12	Short										
	3Hr.										

The Installation must be carried out by an electrician

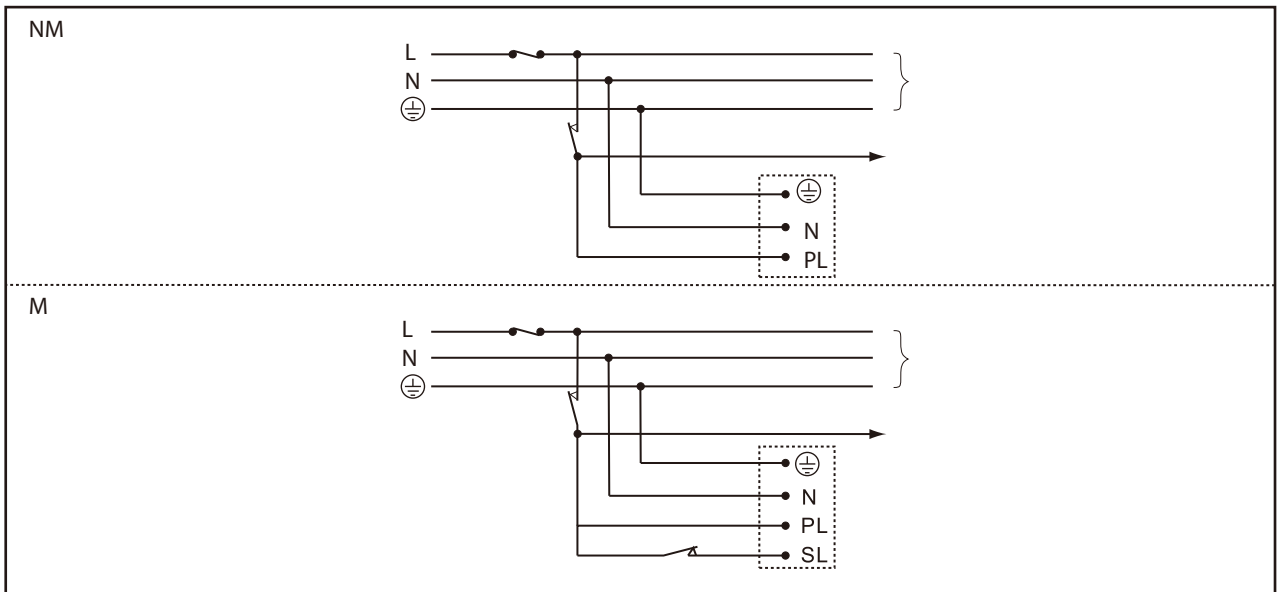
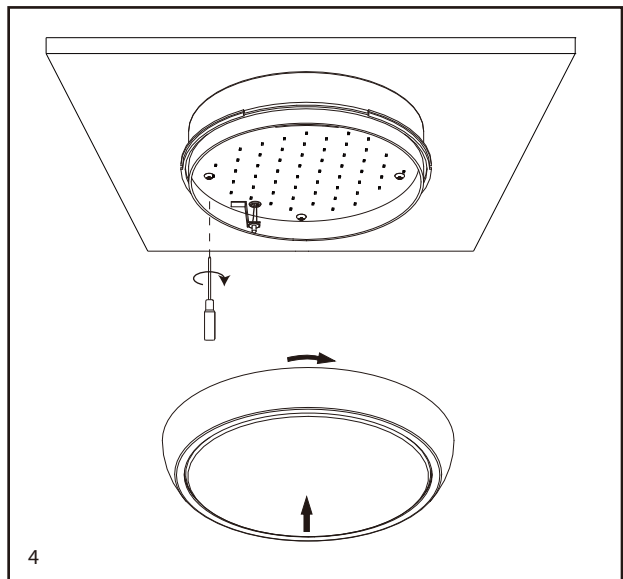
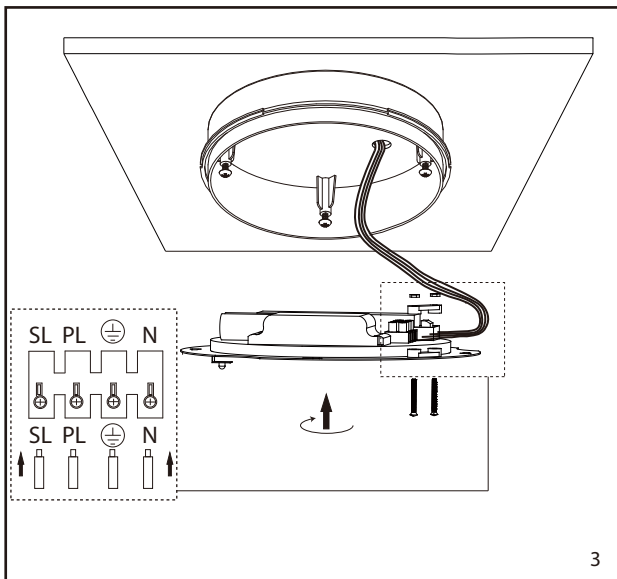
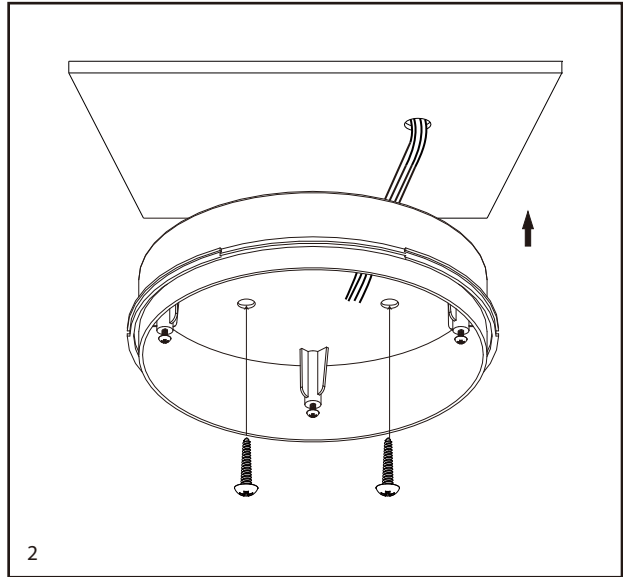
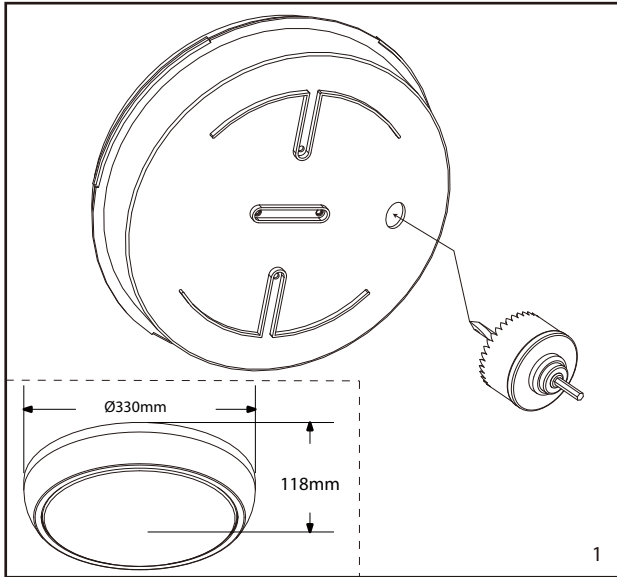
LED Group

Western Retail Park
Nangor Road
Dublin 12
Ireland

Tel: +353 1 7099000
Fax: +353 1 7099060
Email: info@led.ie
Website: www.led.ie



Installation diagram



The Installation must be carried out by an electrician

LED Group
 Western Retail Park
 Nangor Road
 Dublin 12
 Ireland

Tel: +353 1 7099000
 Fax: +353 1 7099060
 Email: info@led.ie
 Website: www.led.ie

