

4.0 COMMISSIONING

DO NOT SWITCH ON HEATER UNTIL IT IS FILLED WITH WATER

- 4.1 Fill with water by opening valve and leaving open until a full bore of water flows from the outlet.
- 4.2 Close valve and switch on water heater at double pole isolating switch. The heater will heat the water to the temperature set on the thermostat.
- 4.3 Check water is heating correctly.
7 litre 3.0kW - after 10 mins water temperature will increase by 60°C
7 litre 1.0kW - after 10 mins water temperature will increase by 20°C
15 litre 3.0kW- after 10 mins water temperature will increase by 28°C
- 4.4 Pass instruction leaflet to user and draw their attention to the following two statements:
a) DO NOT USE HEATER IF THE WATER IS THOUGHT TO BE FROZEN
Switch off immediately at the isolating switch if the water does not flow freely. Any damage resulting from freezing will not be covered by the guarantee.
b) DURING HEATING THE SPOUT/TAP WILL DRIP
This is due to the expansion of water inside the heater and is normal for heaters of this type. It does not indicate that the valve is faulty and overtightening of the valve can result in damage.

5.0 FAULT FINDING

Your Express water heater should give you trouble free operation, however should a problem occur the table below should enable most faults to be identified with ease. Fault finding should only be carried out by a competent person and any replacement parts used should be authorised Heatrae Sadia spare parts.

SYMPTOM	PROBABLE CAUSE	ACTION
No hot water	1. Check power	Check and replace as necessary.
	2. Faulty cut out	
	3. Faulty thermostat	
	4. Faulty element	
Water too hot/ cold	1. Thermostat set to wrong temperature	Adjust thermostat.
	2. Faulty thermostat	Switch off, check and replace.
No water flow	1. Frozen	Switch off electrical power and allow to thaw at room temperature. Do not switch on again until full water flow has been restored and full checks for leaks made.
	2. No mains supply	Check mains.
Continuous water flow	Faulty valve / tap	Check and replace.

6.0 SPARE PARTS

The following spare parts are available for your Express water heater:

Element plate assembly 1.0kW	95 606 980
Element plate assembly 3.0kW	95 606 981
Element plate assembly gasket (pk of ten)	95 606 982
Over temperature cut-out	95 612 050
Capillary thermostat	95 612 051
Control valve	95 605 090
Spout (12")	95 604 010
Spout telescopic complete with adaptor	95 970 103
Terminal cover	95 604 643

7.0 GUARANTEE

The water heater is guaranteed against faulty materials and manufacture for a period of 2 years from date of purchase. The water heater is not guaranteed against damage by frost and excessive scale build up.

8.0 ENVIRONMENTAL INFORMATION

This product is manufactured from many recyclable materials. At the end of its useful life it should be disposed of at a Local Authority Recycling Centre in order to realise the full environmental benefits. It does not contain any substances harmful to health; it does not contain asbestos.

9.0 SPARE PARTS

Electric Water Heating Co.

519 Barking Road, East Ham,
London, E6 2LN.
Tel: 0845 0553811
E-mail: sales@ewh.co.uk

Heating Replacement Parts & Controls

PO Box 48, Tomlinson Road,
Leyland, Preston, Lancashire, PR5 1JX.
Tel: 01772 819673
www.hrpc.co.uk

Newey & Eyre Specialists

Products Division
Please contact your local branch

SPD Special Product Division

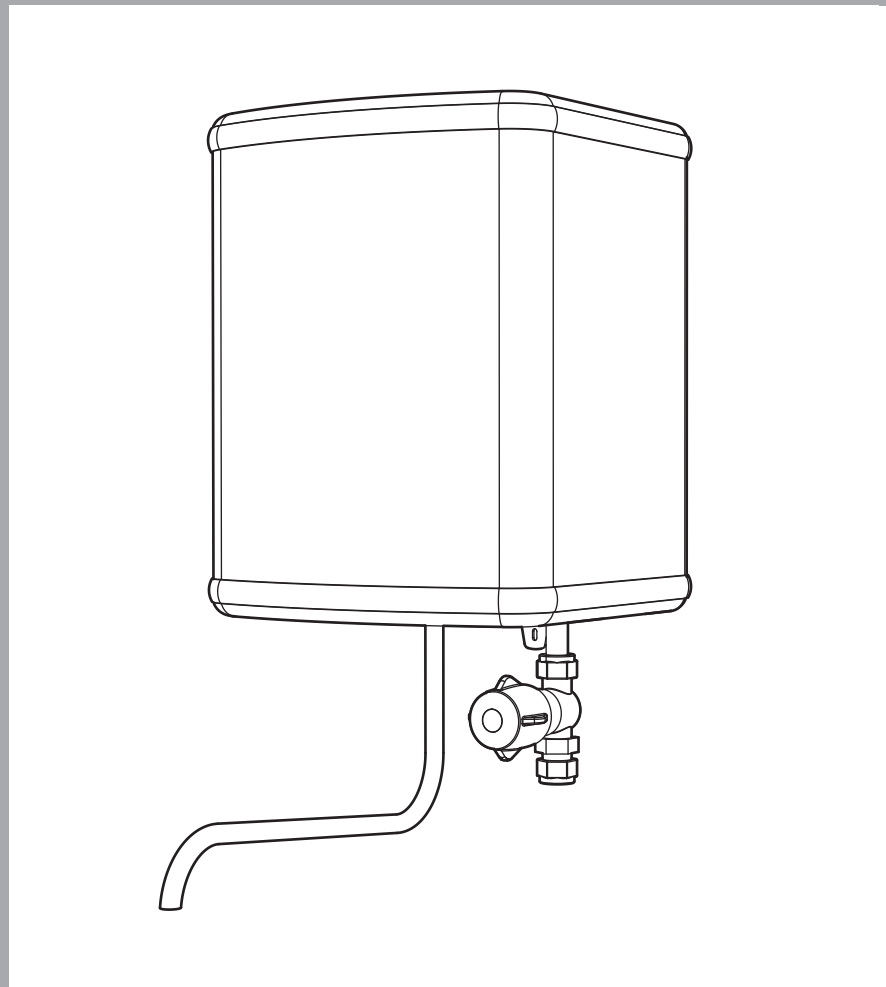
Unit 9 & 10, Hexagon Business Centre, Spring-
field Road,
Hayes, Middlesex UB4 0TY
Tel: 020 8606 3567

UK Spares Ltd.

Tower Lane, Warmley,
Bristol, BS30 8XT.
Tel: 0117 961 6670

William Wilson Ltd.

94 Kinning Street, Glasgow, G5 8LW.
Tel: 0141 4201661



HEATRAE SADIA

The quality name in water heating

Heatrae Sadia Heating
Hurricane Way Norwich NR6 6EA
www.heatraesadia.com
PART OF BDR THERMEA © 2011

Customer Service
Tel: 0844 8711535
Fax: 0844 8711528
E-mail: heatraesadiaservice@heateam.co.uk

EXPRESS 7/1, 7/3, 15/3

Fitting Instructions and User Guide

1.0 INTRODUCTION

1.1 IMPORTANT POINTS

Thank you for purchasing a Heatrae Sadia Express water heater. The Express water heater is manufactured in the UK to the highest standards and has been designed to meet all the latest relevant safety specifications.

This Express water heater must be installed and maintained by a competent person only. Please read and understand these instructions prior to installing your Express water heater. Particular attention should be paid to the section headed IMPORTANT INSTALLATION POINTS. Following installation, the operation of the heater should be explained to the user and these instructions left with them for future reference.

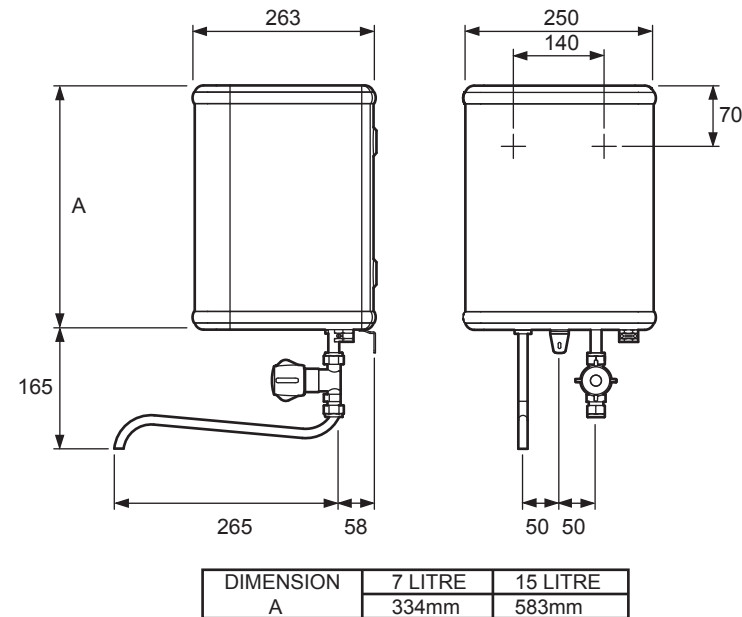
This appliance is not intended for use by persons (including children) with reduced physical, sensory or mental capabilities, or lack of experience and knowledge, unless they have been given supervision or instruction concerning the use of the appliance by a person responsible for their safety. Children should be supervised to ensure that they do not play with the appliance.

1.2 PACK CONTENTS

Heater, Spout, Valve, Fixing Screws and Rawlplugs, Fitting Instructions.

2.0 TECHNICAL SPECIFICATION

FIGURE01: DIMENSIONS



Rating: 1.0kW @240V~/0.9kW @230V~
 3.0kW @240V~/2.8kW @230V~
 Capacities 7 and 15 litres
 Weight (full) 10kg (7l), 19kg (15l)
 Rated Pressure..... 0Mpa (0bar)
 Temperature range5° to 75°C

3.0 INSTALLATION

This appliance must be earthed. It is suitable for a.c. supply only. Electrical installation must be carried out by a competent electrician and be in accordance with the latest I.E.E. wiring regulations.

3.1 LOCATION

- 3.1.1 Select a suitable site such that
 - a) there is enough clearance under the heater to allow removal of the element plate.
 - b) when using the outlet spout, it will swing over the sink (or sinks) to be supplied.
 - c) there are no hidden services where the wall is to be drilled.
- 3.1.2 Mark the position of the fixing holes (as shown in Figure 01).
- 3.1.3 Drill and plug the hole positions.
- 3.1.4 Screw in the top two screws leaving heads 3mm from the wall.
- 3.1.5 Hang the heater on the two top screws.
- 3.1.6 Screw in bottom screw to secure the heater.

3.2 PLUMBING

- 3.2.1 The heater is designed to be connected directly to the mains via the valve provided or Heatrae Sadia open outlet taps.
- 3.2.2 It is recommended that a WRAS listed isolating valve (not supplied) be fitted in the water supply pipe to the heater to allow for servicing.
- 3.2.3 The inlet must always be on the right.
- 3.2.4 In both undersink and oversink installations the inlet and outlet connections must remain beneath the heater.
- 3.2.5 The outlet of this water heater acts as a vent and must not be blocked or restricted in any way.
- 3.2.6 Connect the control valve supplied to the inlet pipe on the water heater.
- 3.2.7 Connect the cold water main to the control valve using 15mm outside diameter pipe (either copper to BS EN 1057 or stainless steel to BS 4127).
- 3.2.8 Push the outlet spout directly into the outlet fitting.
- 3.2.9 To remove outlet spout, push white ring upwards towards body of fitting and pull spout downwards.
- 3.2.10 The installation must be carried out in accordance with the relevant requirements of:
 - The appropriate Building Regulations either The Building Regulations, The Building Regulations (Scotland) or Building Regulations (Northern Ireland).
 - The Water Fittings Regulations or Water Byelaws in Scotland.

3.3 ELECTRICAL

Disconnect the electrical supply before removing the cover. Installation must be in accordance with the current local wiring regulations. A double pole isolating switch, with a contact separation of at least 3mm in both poles, should be incorporated in the electrical supply. The supply should be fused 13 Amp. The nominal cross sectional area of the supply cable must be 1.5mm² minimum.

- 3.3.1 Remove terminal cover.
- 3.3.2 Strip the outer sheath and insulation on the cable to the required lengths, making sure the outer sheath of the cable will be held in the cable grip when the connections are made.
- 3.3.3 Loosen the top screws securing the cable grip.
- 3.3.4 Pass the cable underneath the cable grip and through the top moulding.
- 3.3.5 Make the connections to the terminal block as follows:
 - BROWN or RED to terminal marked “L”
 - BLUE or BLACK to terminal marked “N”
 - GREEN/YELLOW or GREEN wire to terminal marked
- 3.3.6 Secure the cable in the cable grip by tightening the two screws.
- 3.3.7 Set the adjustable thermostat by rotating the control to the required temperature.
- 3.3.8 It is recommended that it is set to lowest acceptable temperature to meet user requirements. This will minimise the risk of scalding and reduce the level of scaling in hard water areas.
- 3.3.9 Replace terminal cover.

FIGURE 02: INTERNAL LAYOUT

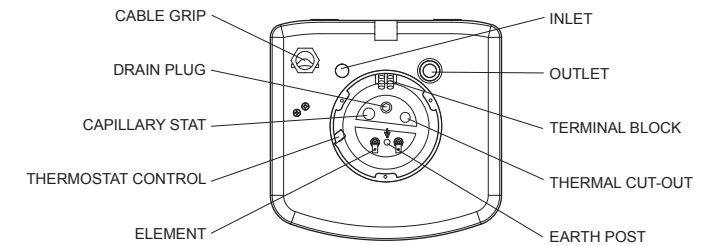


FIGURE 03: WIRING DIAGRAM

