

Combi-Stat



The Combi-Stat provides accurate temperature control, suitable for 2 or 3 wire combination boilers (with current up to 6A)

Combi-Stat RTS8

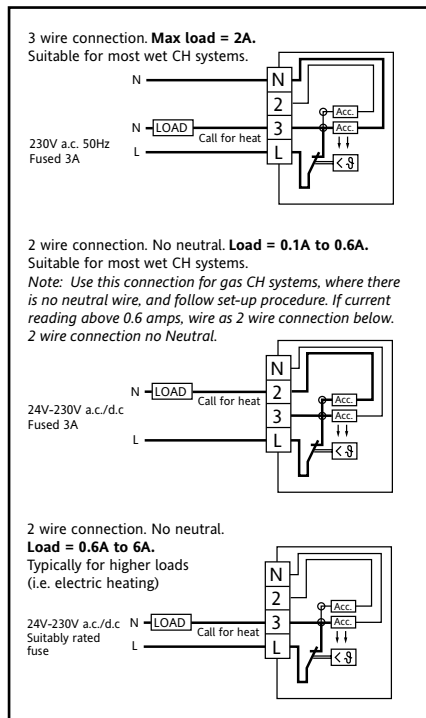
Application

- Suitable for 2 or 3 wire combination boilers
- Ideal for 2 or 3 wire retro-fit applications

Features

- Range limiting stops
- Set point locking
- Surface or conduit box mounting
- Double insulated

Wiring



Technical data

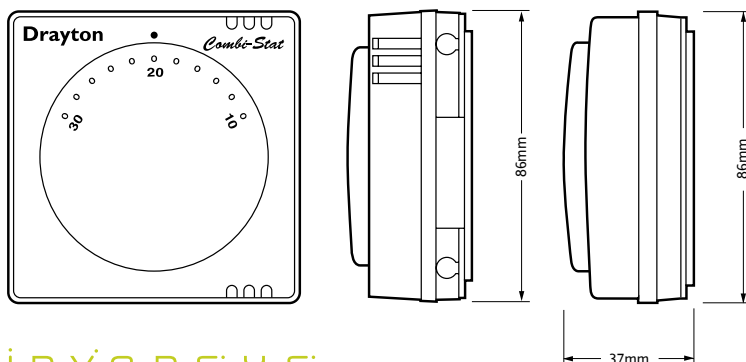
Sensing element	Bi-metal
Temperature range	10°C to 30°C
Switch rating	6(2)A 230V a.c./d.c. 24-230V a.c./d.c.
Switch type	S.P.S.T.
Differential	1°C typical
Wiring regulations	Designed for fixed wiring only to comply with the current IEE regulations
Relevant EC Directives	2006/95/EC Low Voltage Directive 2004/108/EC Electromagnetic Compatibility Directive
Applied Standards:	EN60730-1; EN60730-2-9

Combi-Stat boiler compatibility information

Make	Model	Wiring	Make	Model	Wiring
Worcester	Series	2/3 wire*	Alpha	240	2 wire
	CDi Series	3 wire		Ocean 80	3 wire
	Si Series	2/3 wire*	Ariston	Genus 27	2 wire
Vaillant	EcoMax	2/3 wire*		Euro Combi 27	2 wire
	TurboMax	2/3 wire*	Biasi	Prisma	2 wire
Ideal	Isar	2 wire		Riva	3 wire
	Response	2 wire	Chaffoteaux	Britony Combi 80	3 wire
	Mini	2 wire		Celtic FF	3 wire
Glow-Worm	Energysaver	2/3 wire*	Ferrolli	Domina 80	2 wire
	Compact E	2/3 wire*		Modena 80	2 wire
Baxi	80 Eco	3 wire recommended by	Halstead	Finest	2 wire
	Combi 80E			Finest Gold	2 wire
	105E	Baxi across range	Radiant	RSF 24	2 wire
	Maxflow			Ravenheat	RSF 820/20
Potterton	Bahama	3 wire recommended by	Saunier	CSI 85 Condensing	2 wire
	Puma			Duval 623 Combi	2 wire
	Combi	Pott's across range	Myson	Midas BF	2 wire
			Elm	Le Blanc	2 wire

* Where 2/3 wire is indicated use 3 wire connection for optimum performance. This information is for guidance only as the boiler manufacturer may change the mode of operation at any time without warning. For further information please refer to the boiler manufacturers handbook.

Dimensions



Available from:

inven'sys
Controls

Customer Service Tel: 0845 130 5522
Customer Service Fax: 0845 130 0622
Technical Helpline Tel: 0845 130 7722
Email: customer.care@invensys.com
Website: www.draytoncontrols.co.uk

