

Streamline

Vented point of use hot water





Streamline

Quick access to hot water can be a serious health and safety issue or a simple matter of comfort.

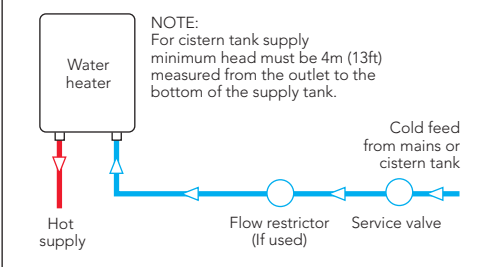
It all depends on where, or for what, it's needed. However, distance from a suitable hot water store or the complete lack of a store can mean that hot water often isn't available.

Streamline vented water heaters are our straightforward solution. They provide a single output of reliable hot water for home or work applications. There are eight models to choose from covering both undersink and oversink use – with 15 taps, spouts and mixers to meet virtually every conceivable need. Streamline only requires a cold water supply and mains electricity. They are quick to fit, easy to use and can be adapted to suit all sorts of requirements.

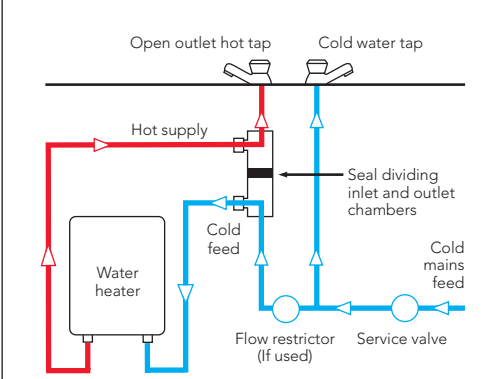
Each Streamline water heater is backed by a two year guarantee with on-site service support.



Typical oversink installation



Typical undersink installation

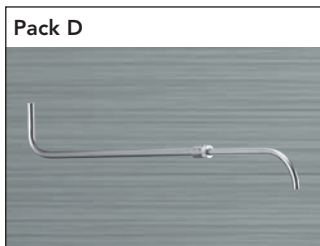
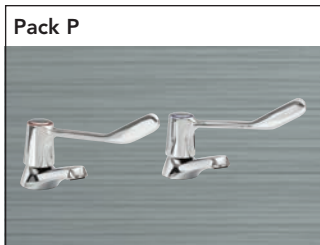
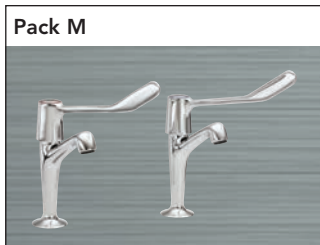


Streamline

An attractive, thermoplastic, point of use product offering remarkable versatility, Streamline comes in two sizes, each with two ratings. It is available as a complete oversink unit with spout or an undersink unit to be used in conjunction with Heatrae Sadia's open vented tap range.

- Choice of 7 or 10 litre capacities.
- White case with grey spout and flow control.
- Compact, low profile.
- 1 or 3kW rating.
- Choice of 15 vented taps, spouts and mixers.
- Easy access for maintenance.
- Externally adjustable thermostat from 5°C to 70°C.
- 40°C temperature lock for hand-wash applications.
- Dry start cut-out.
- Anti-frost protection.
- Long-life alloy sheathed element.
- Two year guarantee with on-site service support.





* IMPORTANT: Streamline 1000 / 2000 for sinks and basins with 37 to 39mm tap holes.
 † Product appearance may vary slightly from that shown. Performance and function will remain the same.

Tap accessories

Streamline undersink

- Streamline 1000† – A standard monobloc mixer tap.
- Streamline 2000† – A monobloc mixer tap with pop-up waste fitting (pop-up waste fitting suitable for ceramic sinks only).
- Streamline 2000 elbow lever† – A monobloc mixer tap with elbow lever and pop-up waste fitting, ideal for surgical / medical environments (pop-up waste fitting suitable for ceramic sinks only).
- Streamline 3000† – A standard monobloc mixer tap with long spout. Ideal for kitchen sinks.
- Pack J† – Two-hole mixer tap. Chrome plated and elegantly styled.
- Pack K† – Monobloc mixer tap. A graceful design, ideal for the modern kitchen.
- Pack M† – Elbow pillar tap. ¼ turn lever, ideal for surgical / medical environments (hot and cold taps supplied).
- Pack P† – Elbow basin tap. ¼ turn lever, ideal for surgical / medical environments (hot and cold taps supplied).

- Pack Q† – Two-hole elbow mixer tap. ¼ turn levers, ideal for surgical / medical environments.
- Pack R† – Pillar taps (hot and cold taps supplied).
- Pack S/T† – Basin hot and cold taps.
- Pack W† – Pillar tap with ¼ turn short lever handles (hot and cold taps supplied).
- Pack X† – Basin taps with ¼ turn short lever handles (hot and cold taps supplied).
- Pack Y† – Two-holed mixer tap, ¼ turn short lever, ideal for surgical / medical environments.

Streamline oversink

- Pack D – Telescopic spout (380-610mm)

Accessory dimensions and ordering

<p>Streamline 1000</p>	<p>Streamline 2000</p>	<p>Streamline 2000 elbow lever</p>	<p>Streamline 3000</p>
<p>Pack J</p>	<p>Pack K</p>	<p>Pack M</p>	<p>Pack P</p>
<p>Pack Q</p>	<p>Pack R</p>	<p>Pack S/T</p>	<p>Pack W</p>
<p>Pack X</p>	<p>Pack Y</p>	<p>Pack D</p>	<p>Connections for Packs J, M, P, Q, R and S</p>

Ordering guide – undersink accessories

Model	Product code
Streamline 1000*†	95:970:320
Streamline 2000*†	95:970:321
Streamline 2000 elbow lever*†	95:970:322
Streamline 3000†	95:970:347
Pack J†	95:970:514
Pack K†	95:970:515
Pack M†	95:970:323
Pack P†	95:970:324
Pack Q†	95:970:325

Ordering guide – undersink accessories cont.

Model	Product code
Pack R†	95:970:516
Pack S/T†	95:970:317
Pack W†	95:970:318
Pack X†	95:970:315
Pack Y†	95:970:316

Ordering guide – oversink accessories

Pack D	95:970:513
--------	------------

*IMPORTANT: Streamline 1000 / 2000 for sinks and basins with 37 to 39mm tap holes. †Product appearance may vary slightly from that shown. Performance and function will remain the same.

Full specification, dimensions and ordering

Specification

Capacities

7 and 10 litre.

Rating

1kW, 3kW @ 240V, (0.9kW, 2.8kW @ 230V).

Outer casing

White moulded thermoplastic.

Thermal insulation

CFC/HCFC free (ODP zero) flame-retardant expanded polystyrene.

Water container

Polypropylene, tested to 0.5 bar (7psi).

Heat unit

Rod-type alloy sheathed element.

Thermostat

Capillary-type, externally adjustable from 5°C to 70°C.

Safety features

Dry start cut-out. Frost protection thermostat setting. Thermostat setting lockable at 40°C for hand washing.

Approvals

Nemko approved. CE marked. Manufactured in the UK in a BS EN ISO 9001:2008, ISO 14001:2004 and BS OHSAS 18001:2007 registered factory.

Installation

Fixing

Bracket, screws and plugs supplied for wall-mounting.

Plumbing

All installations should be fitted with a service valve to facilitate maintenance (not supplied). Minimum inlet pressure should be 0.34 bar (5psi) at which maximum flow is 5 litres/min. A flow restrictor (supplied with product) should be fitted for inlet pressures above 0.69 bar (10psi) to limit flow to 6 litres/min.

Supply direct from rising main or cistern (minimum head 4m) using 15mm O/D pipe. Cistern supply is not possible for all outlet types; consult Heatrae Sadia for further advice.

NOTE: Only Heatrae Sadia vented taps must be used with Streamline heaters.

Electrical

Cable entry at rear or base of unit for oversink installations and at rear or top for undersink installations. Must be permanently connected to the electrical supply through a double-pole linked isolating switch with a minimum rating of 13A (3kW model) or 5A (1kW model).

Must conform to current IEE wiring regulations.

Guarantee

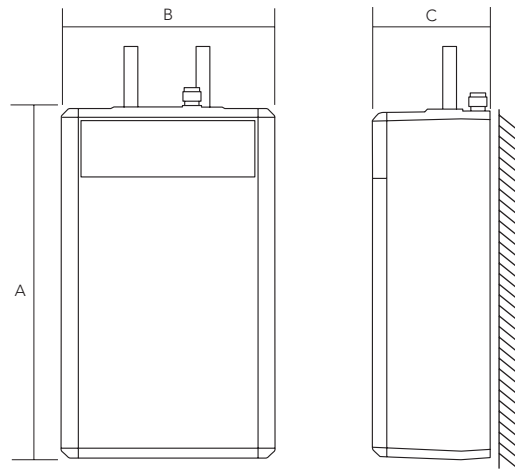
Streamline carries a full two year transferable on-site service support guarantee against faulty manufacture or materials provided that:

- It has been correctly installed as per the instructions contained in the instruction manual and all relevant Codes of Practice and Regulations in force at the time of installation.
- It has been installed in the UK.
- It has not been modified in any way, other than by Heatrae Sadia Heating.
- The damage is not due to scaling or frost.
- It has only been used for the storage of potable water.
- It has not been tampered with or been subjected to misuse or neglect.
- Within 60 days of installation the user completes and returns the certificate supplied along with the proof of purchase to register the product.

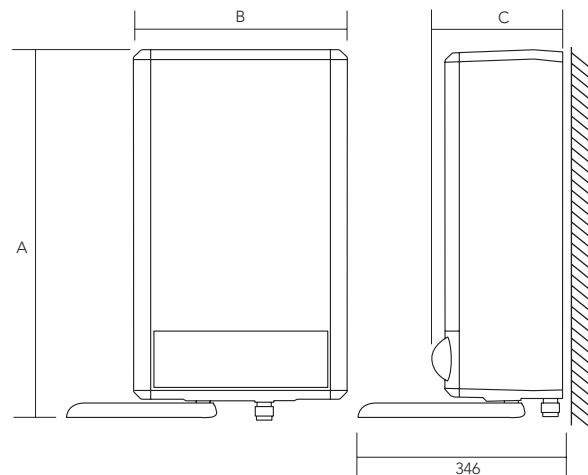
Evidence of purchase and date of supply must be submitted. The unit is not guaranteed against damage due to frost. The guarantee is transferable. This guarantee does not affect your statutory rights.

Dimensions

Streamline undersink



Streamline oversink



Model	A (mm)	B (mm)	C (mm)	Capacity (litre)	Weight	
					empty (kg)	full (kg)
Streamline undersink	477	290	178	7	3.4	10.4
Streamline undersink	477	290	278	10	3.8	13.8
Streamline oversink	500	290	178	7	3.6	10.6
Streamline oversink	500	290	278	10	4	14

Ordering guide

Model	Capacity (litre)	Product code
Streamline 7 1kW undersink	7	95:010:280
Streamline 7 3kW undersink	7	95:010:282
Streamline 10 1kW undersink	10	95:010:284
Streamline 10 3kW undersink	10	95:010:286
Streamline 7 1kW oversink	7	95:010:281
Streamline 7 3kW oversink	7	95:010:283
Streamline 10 1kW oversink	10	95:010:285
Streamline 10 3kW oversink	10	95:010:287



Contact

Specification Advice Hotline

T: 01603 420220 F: 01603 420229

E: specifier@heatraesadia.com

Web www.heatraesadia.com

After Sales Service

T: 0844 871 1535 F: 0844 871 1528

E: heatraesadiaservice@heateam.co.uk

Web www.heateam.co.uk

Please follow us online:



heateam

heateam is Heatrae Sadia's very own service division. With us on your side, you can be sure that your customers are in the very best hands. Totally committed to quality and safety, heateam is open 7 days a week, for 363 days a year, and offers:

- **Dedicated Trade Advice Line** – our helpful and qualified specialists are always on hand to help you with even the most complex technical query.
- **Installer Priority Call-Outs** – our 280 strong team of specifically trained expert heating engineers covers the UK, no one is better qualified to look after Heatrae Sadia's products for the duration of the guarantee.
- **Fully Stocked Vans** – a nationwide fleet of vans, fully stocked with spare parts – meaning we can repair our appliances on the first visit in 95% of call-outs.
- **Exclusive Service Plans** – heateam also offer Heatrae Sadia's customers a range of exclusive annual service plans.

Opening Times: Monday-Friday 8am-6pm, weekends and Bank Holidays* 8.30am-2pm.

*excluding Christmas Day and New Year's Day.

Simply call **0844 8711535** or visit our website at www.heateam.co.uk



Heatrae Sadia Heating Hurricane Way Norwich Norfolk NR6 6EA

Heatrae Sadia Heating may introduce modifications to their products from time to time. Consequently, the details given in this brochure are subject to alteration without notice.

95 900 909 Issue 4 © Heatrae Sadia Heating. 2012.

PART OF BDR THERMEA

Brochures for all of our products are available free of charge. Please call our literature hotline on 01603 420127.

MEGAFLO

Megaflo eco cylinder range
Megaflo Commercial cylinder range
Megaflo Solar packages

DOMESTIC HEATING AND HOT WATER

Aerheat
Amptec
Electric Solar
Electromax
Electromax Solar
Immersion Heaters
Megalife HE
Megalife Solar
Multipoint Instantaneous

COMMERCIAL HOT WATER

B3M / C3M
Express
FBM
Handy
Handy Dri / Hair Drier
Hotflo
Multipoint
Multipoint SS
Streamline
UTC 99

DRINKING WATER

Aquatap
SuperChill
Supreme
Supreme Counter Top



Please recycle this product once you have finished with it.