

# OPEN OUTLET TAPSETS

Fitting Instructions and User Guide

# CONTENTS

SECTION	PAGE
1.0 INTRODUCTION	3
2.0 INSTALLATION	5
3.0 COMMISSIONING	15
4.0 MAINTENANCE	15
5.0 FAULT FINDING	15
6.0 SPARES	16
7.0 GUARANTEE	16
8.0 ENVIRONMENTAL INFORMATION	16
9.0 COMMISSIONING RECORD	17
10.0 SERVICE RECORD	18
11.0 SPARES STOCKISTS	20

# 1.0 INTRODUCTION

Thank you for purchasing a Heatrae Sadia Open Outlet Tapset. This tapset is manufactured to the highest standards and has been designed to meet all the latest relevant safety specifications.

## 1.1 IMPORTANT POINTS

The tapset must be installed and commissioned by a competent person. Please read and understand these instructions before installing the tapset. Following installation and commissioning, the operation of the tapset should be explained to the user and these instructions left with them for future reference.

**NOTE: THE TAPSET ACTS AS AN OPEN VENT TO THE WATER HEATER. IT IS NORMAL FOR IT TO DRIP DURING THE HEATING CYCLE OF THE WATER HEATER, DUE TO WATER EXPANSION. THIS IS NOT A FAULT WITH THE TAPSET AND THE USER SHOULD BE MADE AWARE OF THIS FACT.**

These instructions cover the installation of the following open outlet tapsets:

95 970 320	Streamline 1000
95 970 321	Streamline 2000
95 970 322	Streamline 2000e
95 970 347	Streamline 3000
95 970 317	Pack S/T
95 970 315	Pack X
95 970 324	Pack P
95 970 516	Pack R
95 970 318	Pack W
95 970 323	Pack M
95 970 514	Pack J
95 970 316	Pack Y
95 970 325	Pack Q
95 970 515	Pack K

These tapsets are designed to be installed with Heatrae Sadia open outlet water heaters.

FIGURE 01: TAPSETS

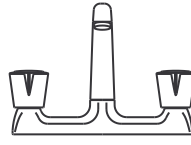
OMEGA HANDLES



PACK S/T



PACK R



PACK J

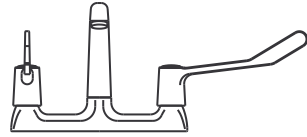
LONG LEVER HANDLES



PACK P



PACK M



PACK Q

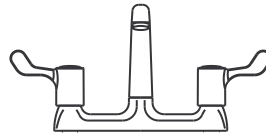
SHORT LEVER HANDLES



PACK X

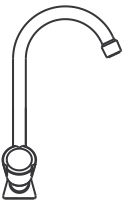


PACK W

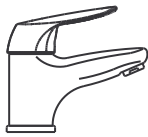


PACK Y

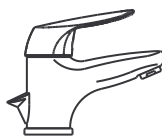
MONOBLOC MIXERS



PACK K



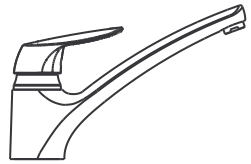
1000



2000



2000e



3000

# 2.0 INSTALLATION

## 2.1 CHECK VALVE

A check (non-return) valve must be installed in the pipework between the tapset and the water heater INLET if the tapset is used in conjunction with an open outlet water heater that is installed oversink (above the tapset). Failure to do so can result in partial drain down of the heater and eventual operation of the thermal cut-out.

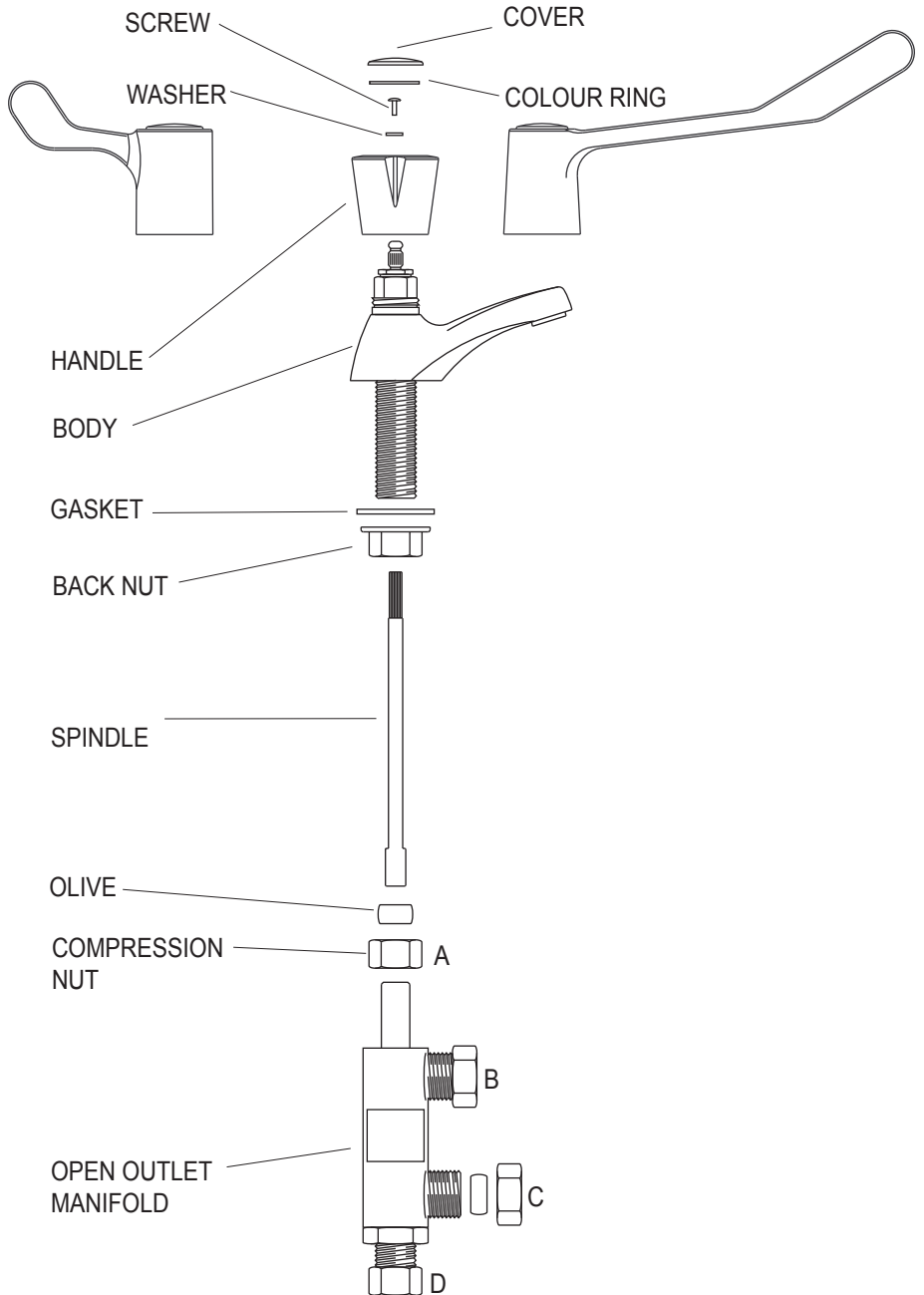
## 2.2 FLOW RESTRICTOR

Maximum flow rates should be restricted to 7 litres/minute at high inlet pressures if using the tapset in conjunction with a Heatrae Sadia Streamline water heater. A Flow Regulating Valve (Heatrae Sadia Part No 95970115) is supplied with the Streamline to achieve this.

## 2.3 EARTH CONTINUITY

**IMPORTANT: THE INSTALLER MUST CONFIRM EARTH CONTINUITY ON ALL TAPSETS**

FIGURE 02: OPEN OUTLET TAP



## 2.4 INSTALLATION OF OPEN OUTLET TAPSETS J, M, P ,Q, R, S/T, W, X, & Y

1. Prepare the mounting surface and ensure the tap fitting holes are the correct size ( $\text{\O}21\text{mm}$ ). NOTE: hole centres for packs J, Q & Y are 180mm apart.
2. Fit the tap/s to the sink ensuring that the gasket is fitted between tap body and mounting surface and secure in place with the backnut/s.
3. Fit the open outlet manifold to the hot tap. Ensure that the spindle is securely located at the top of the tap headwork and bottom of the manifold.
4. Fix the manifold in place by tightening the compression fitting at manifold outlet A (see figure 2).
5. Plumb manifold outlet B to the water heater hot outlet (see figure 3).
6. Plumb manifold outlet C to water heater cold inlet (see figure 3).
7. Plumb manifold outlet D to the mains water supply (see figure 3).
8. Plumb the cold tap to the mains water supply (see figure 3).
9. Fit the handles to the tap bodies (check the orientation if fitting lever handles) and secure with the screws and washers provided (see figure 2).
10. Place the red ring in the hot tap handle and secure with a chrome plated cover (see figure 2).
11. Place the blue ring in the cold tap handle and secure with a chrome plated cover (see figure 2).

FIGURE 03: PLUMBING OF OPEN OUTLET TAP

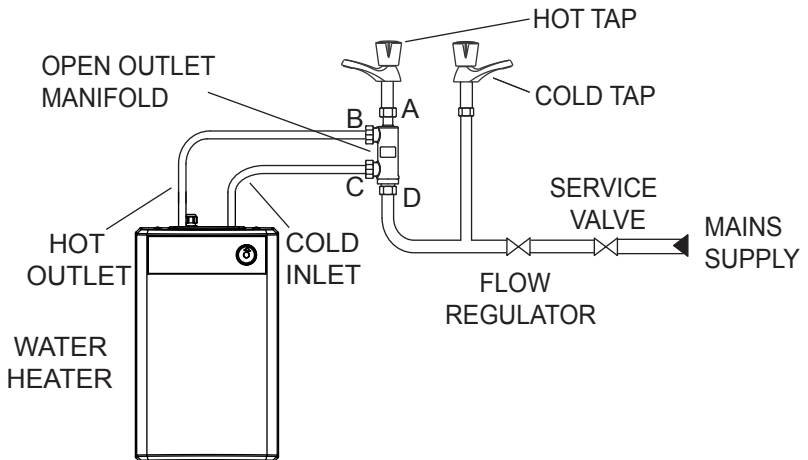
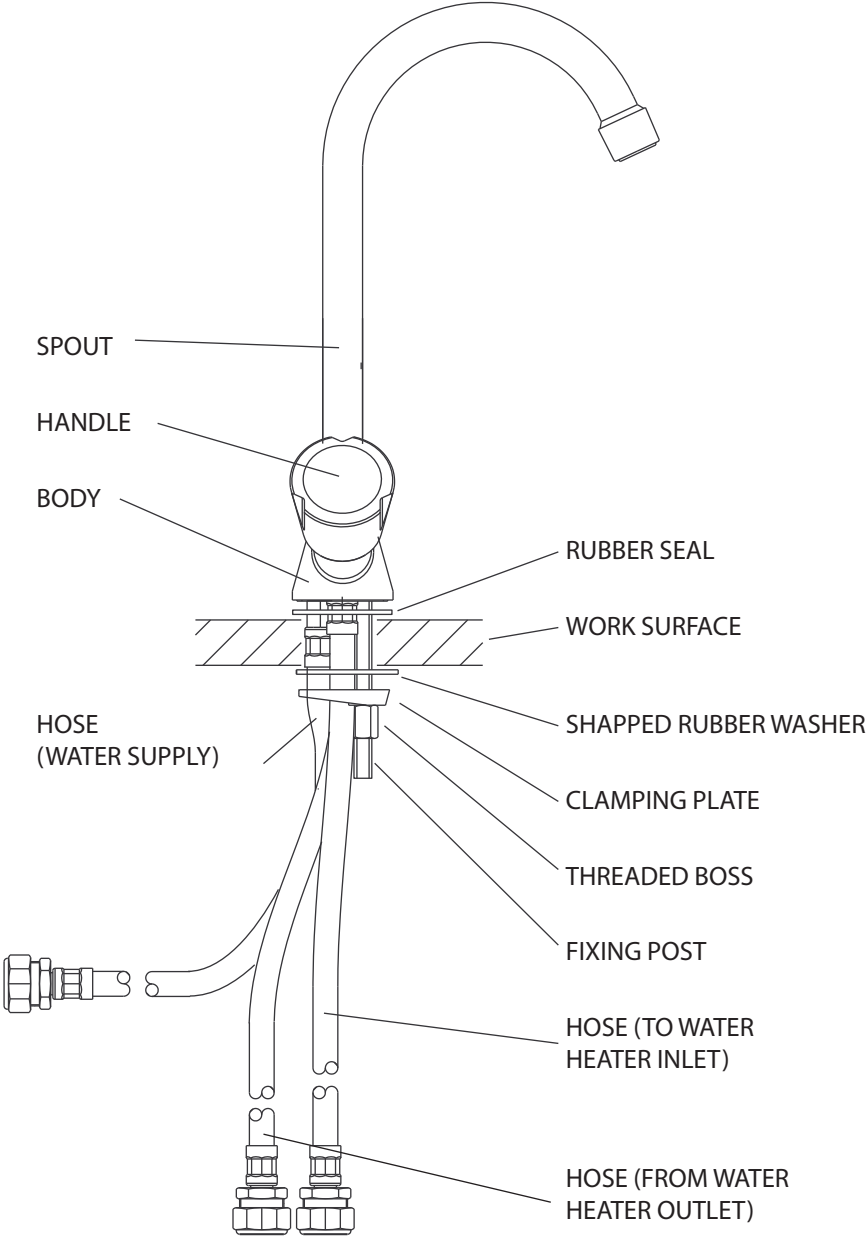


FIGURE 04: PACK K





## 2.5 INSTALLATION OF OPEN OUTLET TAPSET K

1. Prepare the mounting surface and ensure the tap fitting hole is the correct size ( $\text{Ø}30\text{mm}$ ).
2. Thread the RED hose the through bottom of the mounting hole and connect to the tap body hole marked WATER HEATER HOT OUTLET (see figure 5).
3. Thread the BLUE hose the through bottom of the mounting hole and connect to the tap body hole marked COLD MAINS SUPPLY (see figure 5).
4. Thread the PLAIN hose through bottom of the mounting hole and connect to the tap body hole marked WATER HEATER COLD INLET (see figure 5).
5. Screw the fixing post to the tap body.
6. Fit the tap to the work surface and secure in place with the clamping plate and threaded boss. Ensure the rubber seal and shaped washer are positioned correctly (see figure 4).
7. Fit the handles to the tap body and secure with and secure with the screws and washers provided.
8. Place the red ring in the hot tap handle (LEFT) and secure with a chrome plated cover.
9. Place the blue ring in the cold tap handle (RIGHT) and secure with a chrome plated cover.
10. Plumb the BLUE hose to the mains cold water supply.
11. Plumb the RED hose to the water heater hot outlet.
12. Plumb the PLAIN hose to the water heater cold inlet.
13. Fit the spout to the tap body.

NOTE: Care should be taken when using flexible hoses (see section 2.9).

FIGURE 05: PLUMBING OF PACK K

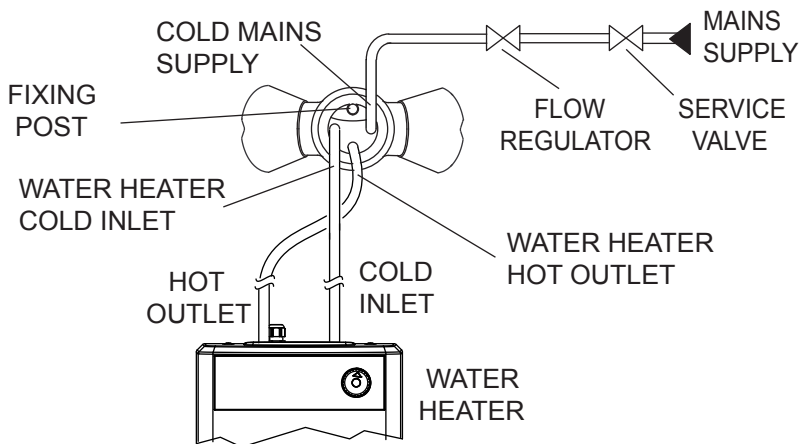
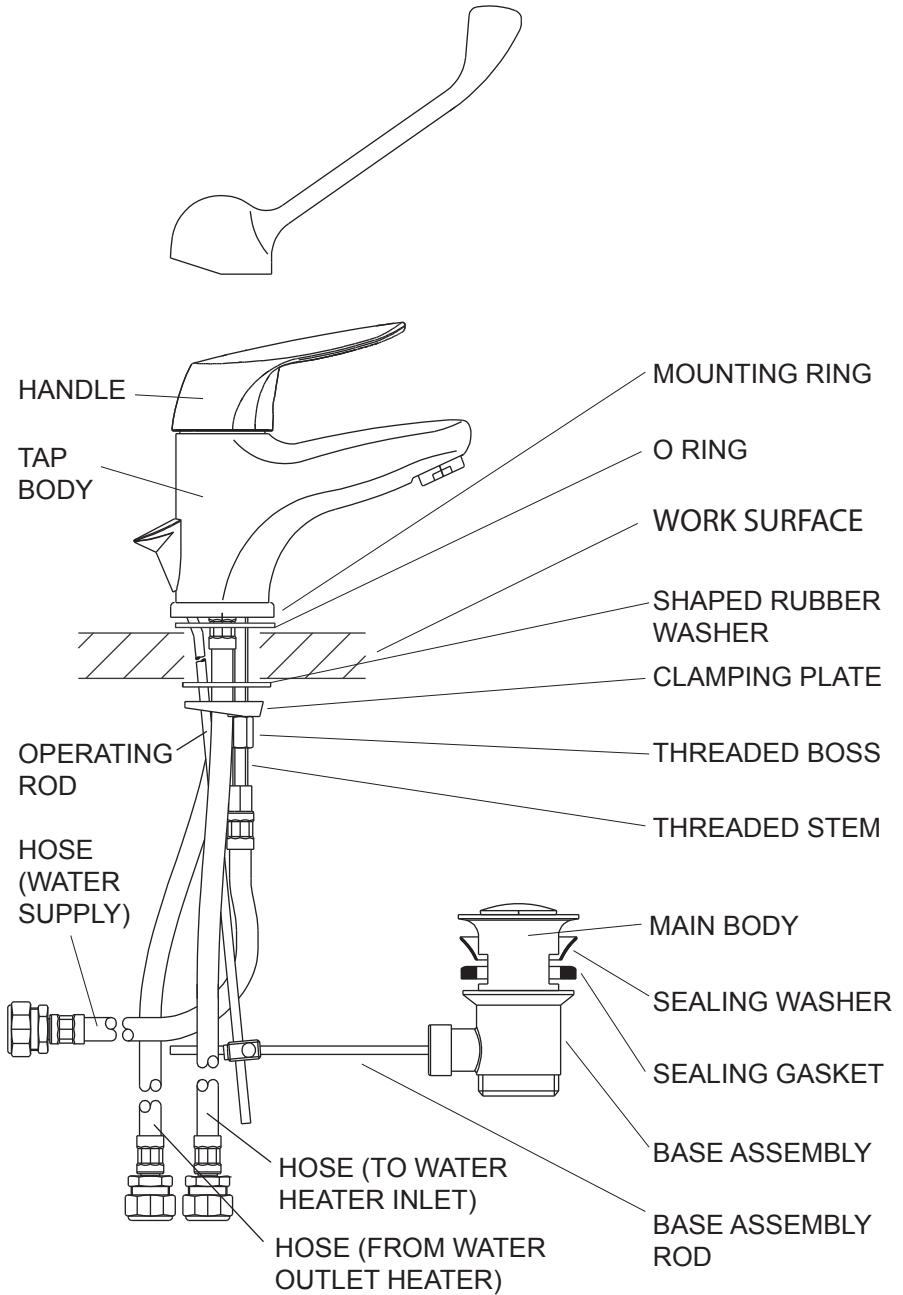


FIGURE 06: STREAMLINE 1000 & 2000 MONOBLOC MIXERS



## 2.6 INSTALLATION OF STREAMLINE TAPSETS 1000, 2000, 2000e

1. Prepare the mounting surface and ensure the tap fitting hole is the correct size ( $\text{\O}36\text{mm}$ ).
2. Position the O ring and mounting ring over the hole.
3. Thread the RED hose through bottom of the mounting hole and connect to the tap body hole marked WATER HEATER HOT OUTLET (see figure 7).
4. Thread the BLUE hose through bottom of the mounting hole and connect to the tap body hole marked WATER HEATER COLD INLET (see figure 7).
5. Fit the tap to the work surface and secure in place with the clamping plate and threaded boss. Ensure the shaped rubber washer is positioned correctly (see figure 6).
6. Connect the PLAIN hose to the threaded stem (see figure 6).
7. Plumb the PLAIN hose to the mains cold water supply.
8. Plumb the RED hose to the water heater hot outlet.
9. Plumb the BLUE hose to the water heater cold inlet.

NOTE: Care should be taken when using flexible hoses (see section 2.9).

See section 2.8 for installation of waste assembly (Streamline 2000 & 2000e only).

FIGURE 07: PLUMBING OF STREAMLINE MONOBLOC MIXER

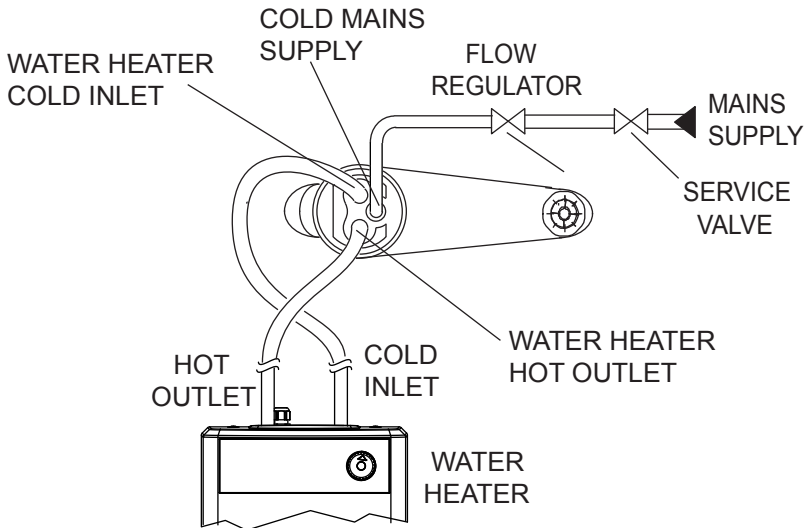
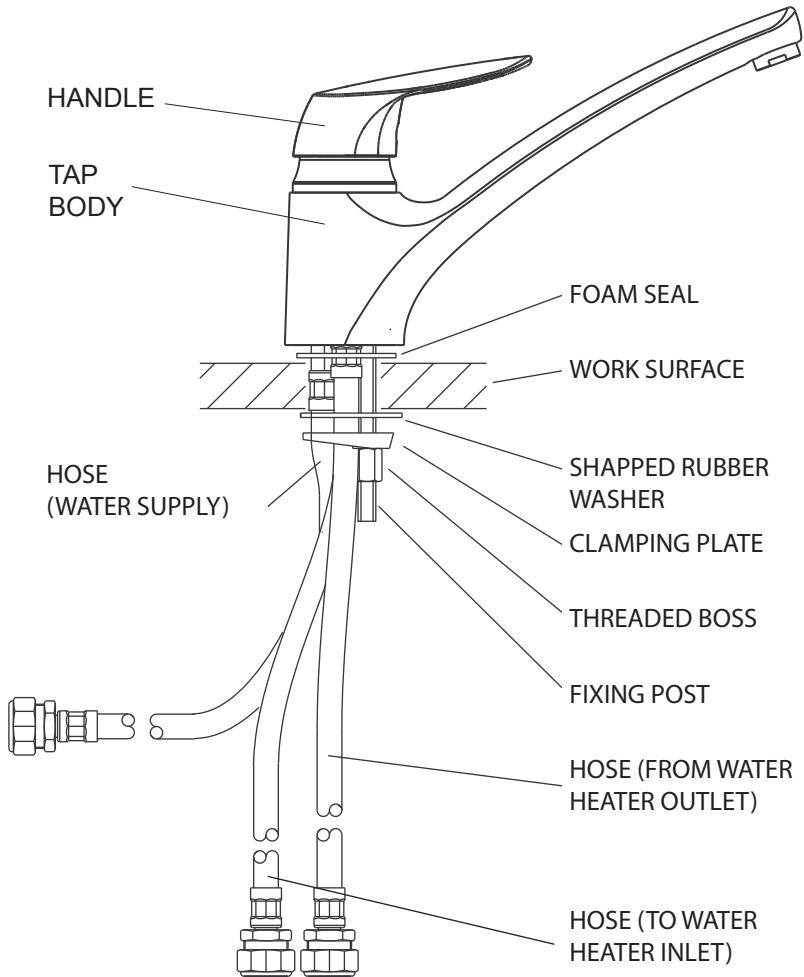


FIGURE 08: STREAMLINE 3000 MONOBLOC MIXER

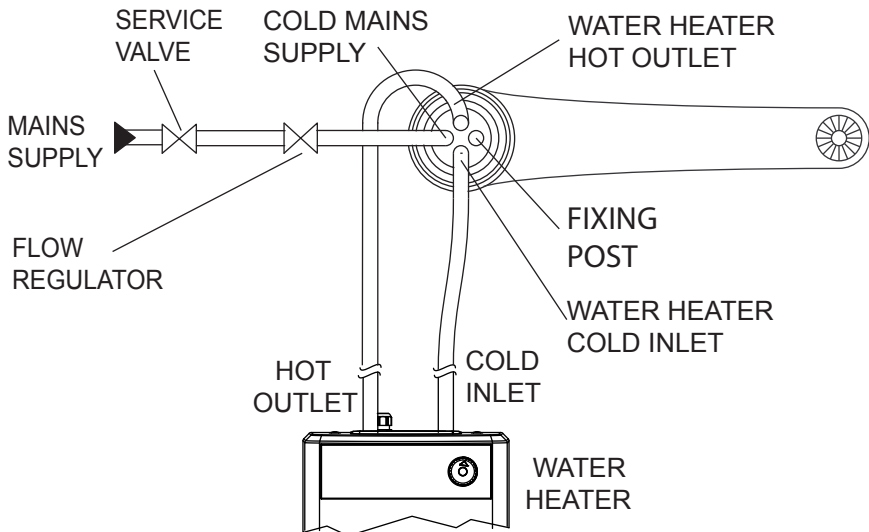


## 2.7 INSTALLATION OF STREAMLINE TAPSET 3000

1. Prepare the mounting surface and ensure the tap fitting hole is the correct size ( $\text{Ø}36\text{mm}$ ).
2. Fit the foam seal to the tap body.
3. Thread the RED hose through bottom of the mounting hole and connect to the tap body hole marked WATER HEATER HOT OUTLET (see figure 9).
4. Thread the BLUE hose through bottom of the mounting hole and connect to the tap body hole marked WATER HEATER COLD INLET (see figure 9).
5. Thread the PLAIN hose through bottom of the mounting hole and connect to the tap body hole marked WATER HEATER COLD INLET (see figure 9).
6. Screw the fixing post to the tap body.
7. Fit the tap to the work surface and secure in place with the clamping plate and threaded boss. Ensure the shaped rubber washer is positioned correctly (see figure 8).
8. Plumb the PLAIN hose to the mains cold water supply.
9. Plumb the RED hose to the water heater hot outlet.
10. Plumb the BLUE hose to the water heater cold inlet.

NOTE: Care should be taken when using flexible hoses (see section 2.9).

FIGURE 09: PLUMBING OF STREAMLINE 3000 MONOBLOC MIXER



## 2.8 INSTALLATION / CONNECTION OF POP-UP WASTE ASSEMBLY

The Streamline 2000 and 2000e tapsets are supplied with a pop-up waste assembly suitable for use with ceramic sinks with integral overflow.

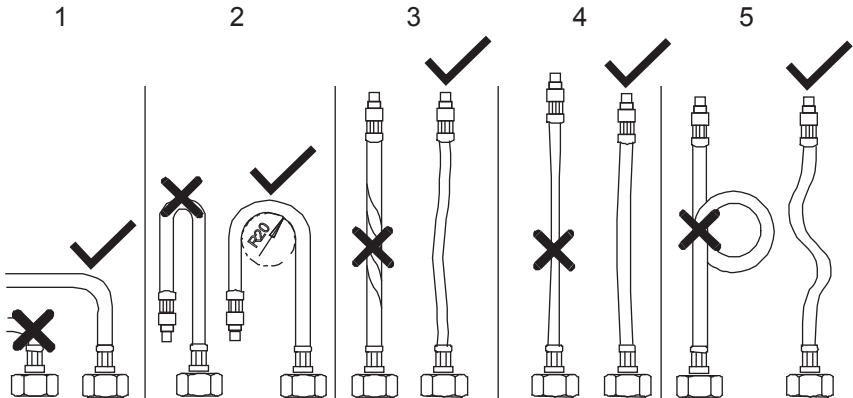
1. Fit the sealing washer to base assembly.
2. Fit sealing gasket to sink.
3. Whilst holding base assembly in place screw in the main body.
4. Fit the operating rod through the back of the tap body.
5. Connect the operating rod to the rod of base assembly using the connector block.

## 2.9 FLEXIBLE HOSES

Care should be taken when using flexible hoses:

1. Do not bend hoses directly behind connection point
2. Do not kink hoses
3. Avoid twisting during installation
4. Avoid fitting the hose under tension
5. Hoses must not be curled

FIGURE 10: FLEXIBLE HOSE CONNECTION



## 3.0 COMMISSIONING

IMPORTANT: DO NOT SWITCH ON THE ELECTRICAL SUPPLY TO THE WATER HEATER UNTIL THE WATER FLOWS FREELY FROM THE TAP.

1. Turn on the water supply.
2. Open the hot tap handle / lever fully and fill the water heater.
3. Leave the water flowing for a short while to flush out the pipework.
4. Close the hot tap handle / lever and check the system for leaks.
5. Switch on the electrical supply to the water heater and allow to heat.

## 4.0 MAINTENANCE

External surfaces should be cleaned with soap based detergents. Abrasive, alcohol-based, caustic, or other strong detergents should not be used.

If lime scale builds up on the outlet flow straightener the plastic insert should be removed and the limescale removed by a propriety descaling solution suitable for plastics.

## 5.0 FAULT FINDING

The tapsets should give trouble free operation, however should a problem occur, the end user should contact the Heatrae Sadia Service Team on 0844 8711535.

## 6.0 SPARES

The following comprehensive list of spare parts are available for your tapset:

Handle - Omega	95 607 621
Handle - Long Lever	95 607 622
Handle - Short Lever	95 607 623
Handle - Streamline Monobloc Mixer	95 607 624
Handle - Streamline Monobloc Mixer - Elbow	95 607 625
Manifold & Long Spindle	95 607 626
Manifold & Short Spindle	95 607 627
Cartridge - Full Turn	95 605 093
Cartridge - Quarter Turn	95 605 094
Cartridge - Streamline Monobloc Mixer	95 605 095

Do not replace with parts not recommended by Heatrae Sadia. This will invalidate your guarantee and may render the installation dangerous.

## 7.0 GUARANTEE

This tapset is guaranteed for a period of two years against faulty materials and manufacture provided that:

1. The tapset has been installed in accordance with these instructions and all relevant codes of practice and regulations in force at the time of installation, and that all necessary controls and safety valves have been fitted correctly.
2. Any valves and controls fitted are of Heatrae Sadia recommended type and specification.
3. The tapset has not been modified or tampered with in any way, and has been regularly maintained as detailed in these instructions.

The guarantee period applies from the date of purchase and does not affect your statutory rights.

## 8.0 ENVIRONMENTAL INFORMATION

This tapset is manufactured from many recyclable materials. At the end of its useful life it should be disposed of at a Local Authority Recycling Centre in order to realize its full environmental benefits.



# 9.0 COMMISSIONING RECORD

## OPEN OUTLET TAP INSTALLATION

Installation Date: \_\_\_\_\_

Model: \_\_\_\_\_

Installer (Plumbing): \_\_\_\_\_

Contact Details: \_\_\_\_\_

Competency Scheme & ID Number: \_\_\_\_\_

Comments: \_\_\_\_\_

\_\_\_\_\_

\_\_\_\_\_

\_\_\_\_\_

Mains supply pressure and flow rate	
Isolation valve fitted	
Flow reducer fitted	
Pipework checked for leaks	
Pipework bonded	

# 10.0 SERVICE RECORD

Service Date: \_\_\_\_\_  
Engineer: \_\_\_\_\_  
Contact Details: \_\_\_\_\_  
Competency Scheme & ID Number: \_\_\_\_\_  
Comments: \_\_\_\_\_  
\_\_\_\_\_  
\_\_\_\_\_  
\_\_\_\_\_

Service Date: \_\_\_\_\_  
Engineer: \_\_\_\_\_  
Contact Details: \_\_\_\_\_  
Competency Scheme & ID Number: \_\_\_\_\_  
Comments: \_\_\_\_\_  
\_\_\_\_\_  
\_\_\_\_\_  
\_\_\_\_\_

Service Date: \_\_\_\_\_  
Engineer: \_\_\_\_\_  
Contact Details: \_\_\_\_\_  
Competency Scheme & ID Number: \_\_\_\_\_  
Comments: \_\_\_\_\_  
\_\_\_\_\_  
\_\_\_\_\_  
\_\_\_\_\_

Service Date: \_\_\_\_\_  
Engineer: \_\_\_\_\_  
Contact Details: \_\_\_\_\_  
Competency Scheme & ID Number: \_\_\_\_\_  
Comments: \_\_\_\_\_  
\_\_\_\_\_  
\_\_\_\_\_  
\_\_\_\_\_

Service Date: \_\_\_\_\_  
Engineer: \_\_\_\_\_  
Contact Details: \_\_\_\_\_  
Competency Scheme & ID Number: \_\_\_\_\_  
Comments: \_\_\_\_\_  
\_\_\_\_\_  
\_\_\_\_\_  
\_\_\_\_\_

Service Date: \_\_\_\_\_  
Engineer: \_\_\_\_\_  
Contact Details: \_\_\_\_\_  
Competency Scheme & ID Number: \_\_\_\_\_  
Comments: \_\_\_\_\_  
\_\_\_\_\_  
\_\_\_\_\_  
\_\_\_\_\_

Service Date: \_\_\_\_\_  
Engineer: \_\_\_\_\_  
Contact Details: \_\_\_\_\_  
Competency Scheme & ID Number: \_\_\_\_\_  
Comments: \_\_\_\_\_  
\_\_\_\_\_  
\_\_\_\_\_  
\_\_\_\_\_

Service Date: \_\_\_\_\_  
Engineer: \_\_\_\_\_  
Contact Details: \_\_\_\_\_  
Competency Scheme & ID Number: \_\_\_\_\_  
Comments: \_\_\_\_\_  
\_\_\_\_\_  
\_\_\_\_\_  
\_\_\_\_\_

# 11.0 SPARES STOCKISTS

For the fast and efficient supply of spares please contact the stockists listed below.

Advanced Water Company Ltd.  
Unit D5 Enterprise way  
Vale park, Evesham  
Worcs, WR11 1GS  
Tel: 01386 760066  
Fax: 01386 760077

Electric Water Heating Co.  
2 Horsecroft Place, Pinnacles  
Harlow, Essex, CM19 5BT  
Tel: 0845 0553811  
E-Mail: [sales@ewh.co.uk](mailto:sales@ewh.co.uk)

SPD  
Units 9 & 10 Hexagon Business Centre  
Springfield Road, Hayes  
Middlesex, UB40 0TY  
Tel: 020 8606 3567

Parts Center  
Tel: 0845 2709800  
[www.partscenter.co.uk](http://www.partscenter.co.uk)

Newey & Eyre  
Specialist Products Division  
Please contact your local branch

UK Spares Ltd.  
Tower Lane, Warmley  
Bristol, BS30 8XT  
Tel: 0117 961 6670

William Wilson Ltd.  
Unit 3A, 780 South Street  
Whiteinch, Glasgow, G14 OSY  
Tel: 0141 434 1530

---

## HEATRAE SADIA

The quality name in water heating

Heatrae Sadia Heating  
Hurricane Way Norwich NR6 6EA  
[www.heatraesadia.com](http://www.heatraesadia.com)

PART OF BDR THERMEA

Service: 0844 8711535  
Service Fax: 0844 8711528  
E-mail: [heatraesadiaservice@heateam.co.uk](mailto:heatraesadiaservice@heateam.co.uk)

36006093 issue 01