
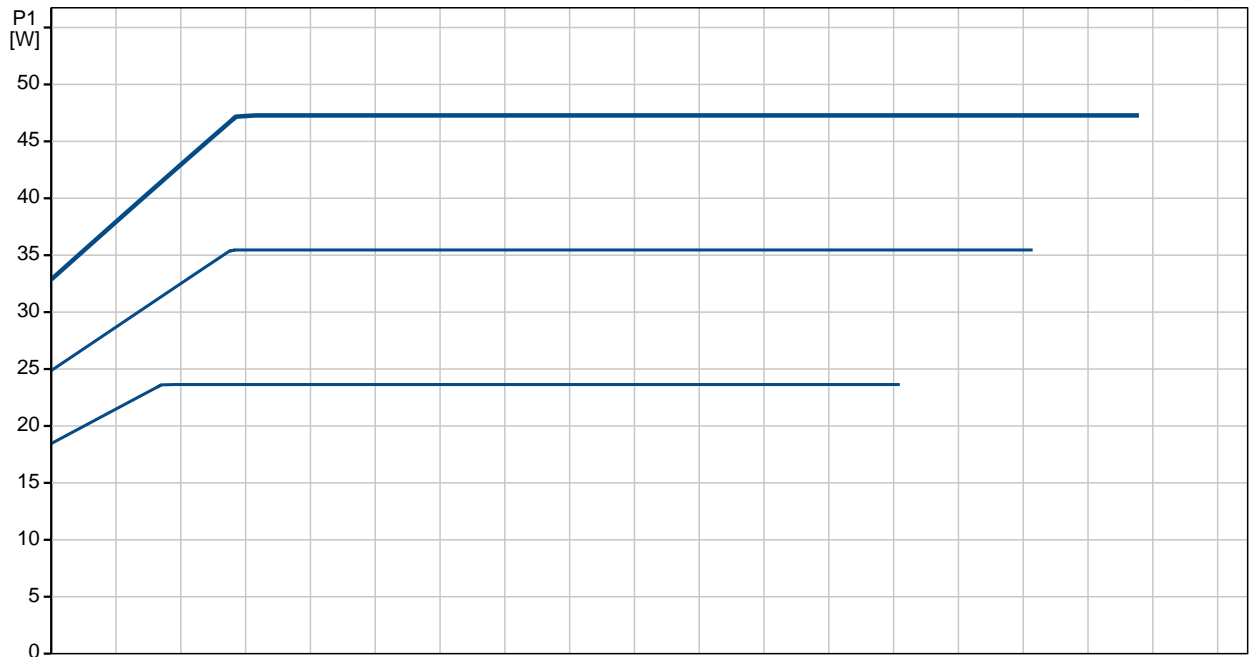
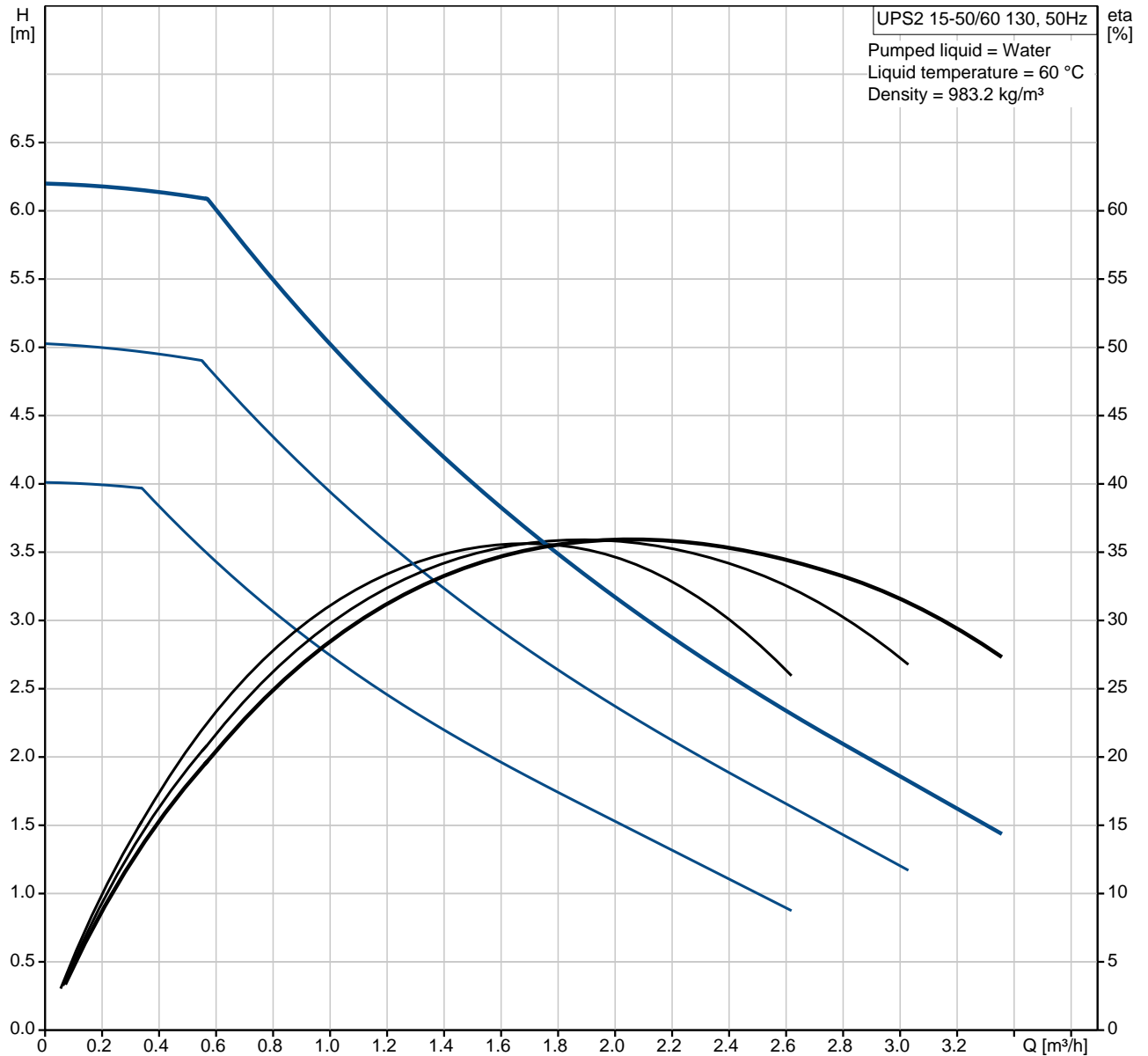


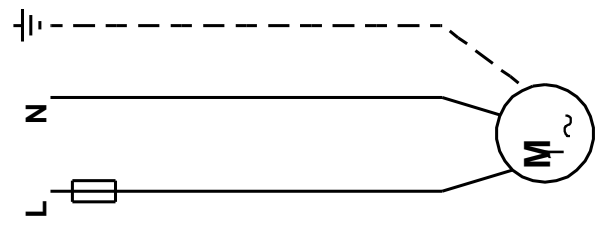
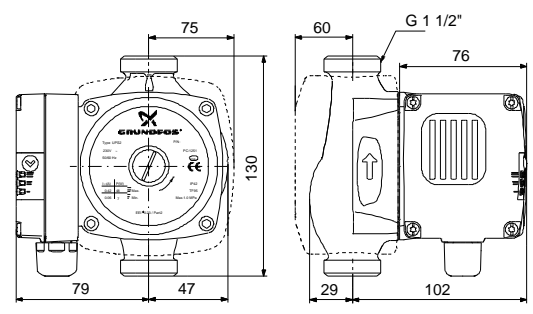
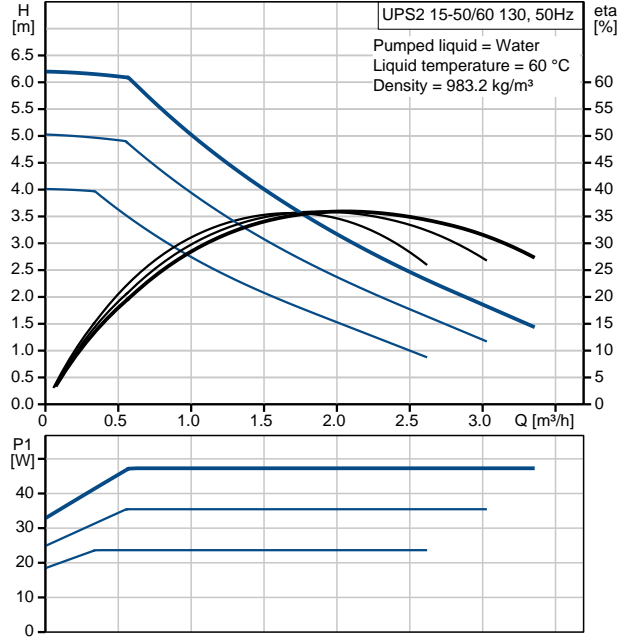
Position	Qty.	Description																						
	1	<p data-bbox="357 163 576 192"><b>UPS2 15-50/60 130</b></p>  <p data-bbox="748 595 1230 618" style="text-align: center;"><b>Note! Product picture may differ from actual product</b></p> <p data-bbox="357 629 624 651">Product No.: <a href="#">98334549</a></p> <p data-bbox="357 685 1417 792">High-efficiency circulator pump with permanent-magnet motor (ECM technology) fit for the ErP directive No 641/2009 due to continuously variable speed control for circulation of clean heating water according to VDI 2035.</p> <p data-bbox="357 831 836 853">Features and benefits: UPS2 15-50/60 130</p> <p data-bbox="357 891 1453 999">High-efficiency circulator pump with permanent-magnet motor (ECM technology) complying with the ErP directive No 641/2009 thanks to continuously variable speed control. Suitable for circulation of clean heating water according to VDI 2035.</p> <p data-bbox="357 1037 608 1059">Features and benefits:</p> <ul data-bbox="357 1093 1437 1417" style="list-style-type: none"> <li>• Complying with requirements of the ErP directive as from 2015.</li> <li>• 1 pump replaces 3 variants.</li> <li>• It is available as pump head without pump housing. Fits on all 4-m, 5-m and 6-m pump housings of the Series 100.</li> <li>• For tight installations, i.e. in boiler applications.</li> <li>• High energy savings thanks to an energy efficiency index (EEI) lower than 0.23.</li> <li>• Complies with the German regulation on energy saving in buildings and building systems – Energieeinsparverordnung – EnEV §14(3).</li> <li>• One button for simple selection among three proportional-pressure curves or three fixed speeds.</li> <li>• No corrosion issues thanks to the electrocoated pump housing.</li> <li>• Reduced installation costs as no external motor protection is required.</li> </ul> <p data-bbox="357 1451 443 1473"><b>Liquid:</b></p> <table data-bbox="357 1480 855 1626"> <tr><td>Pumped liquid:</td><td>Water</td></tr> <tr><td>Liquid temperature range:</td><td>2 .. 95 °C</td></tr> <tr><td>Liquid temp:</td><td>60 °C</td></tr> <tr><td>Density:</td><td>983.2 kg/m<sup>3</sup></td></tr> <tr><td>Kinematic viscosity:</td><td>1 mm<sup>2</sup>/s</td></tr> </table> <p data-bbox="357 1659 480 1682"><b>Technical:</b></p> <table data-bbox="357 1688 815 1744"> <tr><td>TF class:</td><td>95</td></tr> <tr><td>Approvals on nameplate:</td><td>CE, VDE</td></tr> </table> <p data-bbox="357 1778 475 1800"><b>Materials:</b></p> <table data-bbox="357 1807 943 1924"> <tr><td>Pump housing:</td><td>Cast iron EN-JL1030 ASTM 30 B</td></tr> <tr><td>Impeller:</td><td>Composite, PES/PP</td></tr> </table> <p data-bbox="357 1957 496 1980"><b>Installation:</b></p> <table data-bbox="357 1986 799 2042"> <tr><td>Maximum operating pressure:</td><td>10 bar</td></tr> <tr><td>Pipe connection:</td><td>G 1 1/2</td></tr> </table>	Pumped liquid:	Water	Liquid temperature range:	2 .. 95 °C	Liquid temp:	60 °C	Density:	983.2 kg/m <sup>3</sup>	Kinematic viscosity:	1 mm <sup>2</sup> /s	TF class:	95	Approvals on nameplate:	CE, VDE	Pump housing:	Cast iron EN-JL1030 ASTM 30 B	Impeller:	Composite, PES/PP	Maximum operating pressure:	10 bar	Pipe connection:	G 1 1/2
Pumped liquid:	Water																							
Liquid temperature range:	2 .. 95 °C																							
Liquid temp:	60 °C																							
Density:	983.2 kg/m <sup>3</sup>																							
Kinematic viscosity:	1 mm <sup>2</sup> /s																							
TF class:	95																							
Approvals on nameplate:	CE, VDE																							
Pump housing:	Cast iron EN-JL1030 ASTM 30 B																							
Impeller:	Composite, PES/PP																							
Maximum operating pressure:	10 bar																							
Pipe connection:	G 1 1/2																							

Position	Qty.	Description
		Pressure stage: PN 10 Port-to-port length: 130 mm  <b>Electrical data:</b> Mains frequency: 50 Hz Rated voltage: 1 x 230 V Enclosure class (IEC 34-5): IP44 Insulation class (IEC 85): F

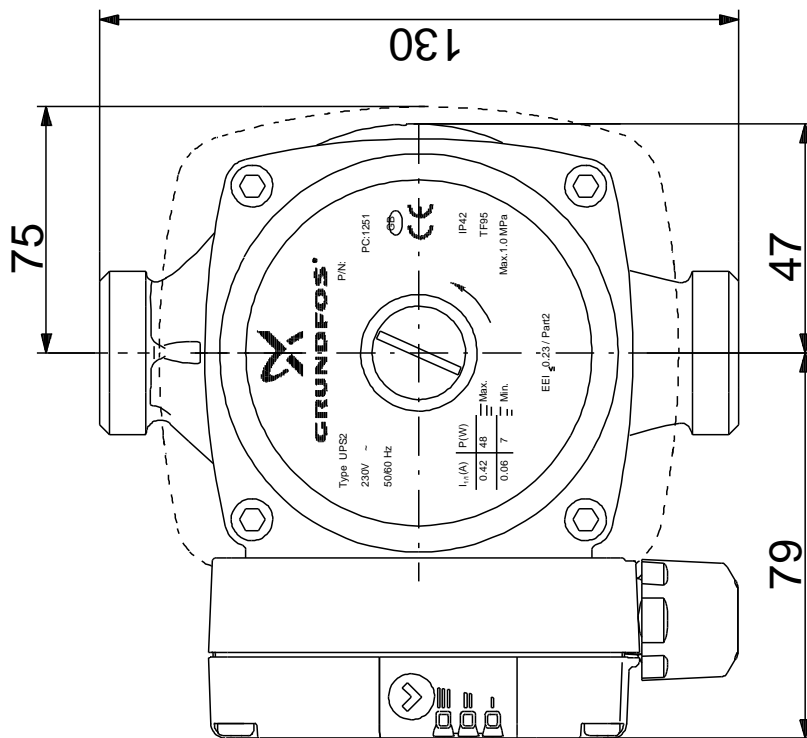
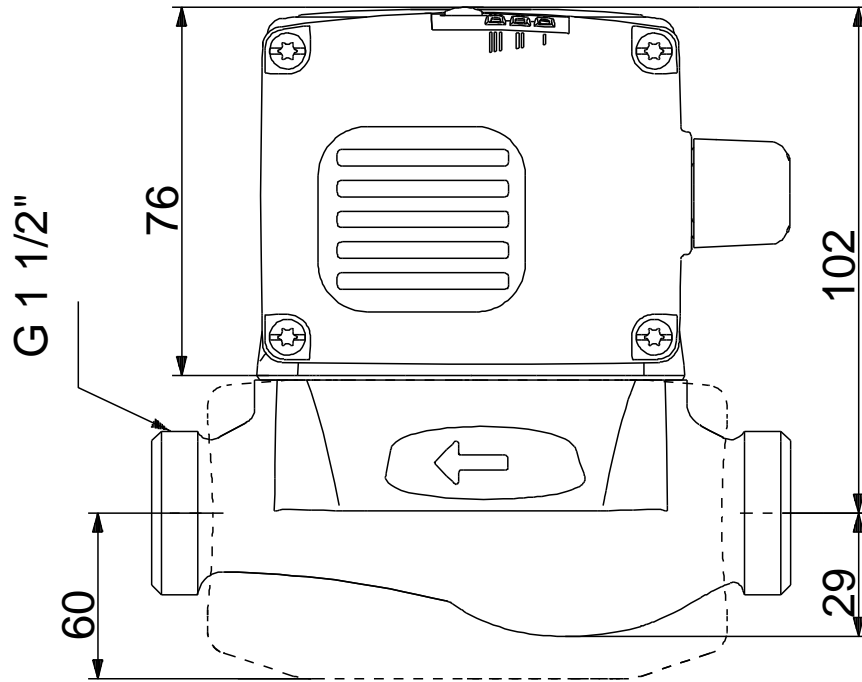
# 98334549 UPS2 15-50/60 130 50 Hz



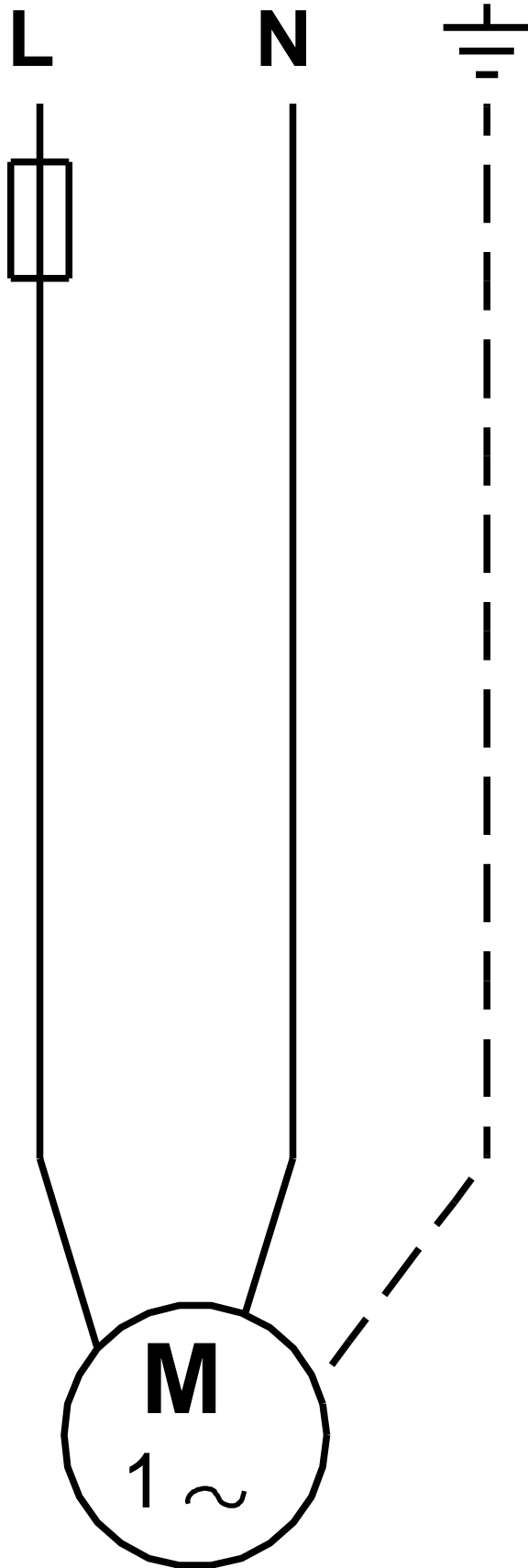
Description	Value
Product name:	UPS2 15-50/60 130
Product No:	98334549
EAN number:	5711493173229
<b>Technical:</b>	
Head max:	60 dm
TF class:	95
Approvals on nameplate:	CE, VDE
<b>Materials:</b>	
Pump housing:	Cast iron EN-JL1030
Impeller:	Composite, PES/PP
<b>Installation:</b>	
Maximum operating pressure:	10 bar
Pipe connection:	G 1 1/2
Pressure stage:	PN 10
Port-to-port length:	130 mm
<b>Liquid:</b>	
Pumped liquid:	Water
Liquid temperature range:	2 .. 95 °C
Liquid temp:	60 °C
Density:	983.2 kg/m <sup>3</sup>
Kinematic viscosity:	1 mm <sup>2</sup> /s
<b>Electrical data:</b>	
Mains frequency:	50 Hz
Rated voltage:	1 x 230 V
Enclosure class (IEC 34-5):	IP44
Insulation class (IEC 85):	F
Motor protec:	NONE
Thermal protec:	ELEC
<b>Controls:</b>	
Pos term box:	9H
<b>Others:</b>	
Energy (EEI):	0.23
Net weight:	2.7 kg
Gross weight:	2.9 kg
Shipping volume:	0.004 m <sup>3</sup>
Country code:	GB



98334549 UPS2 15-50/60 130 50 Hz



Note! All units are in [mm] unless others are stated.  
 Disclaimer: This simplified dimensional drawing does not show all details.



Note! All units are in [mm] unless others are stated.