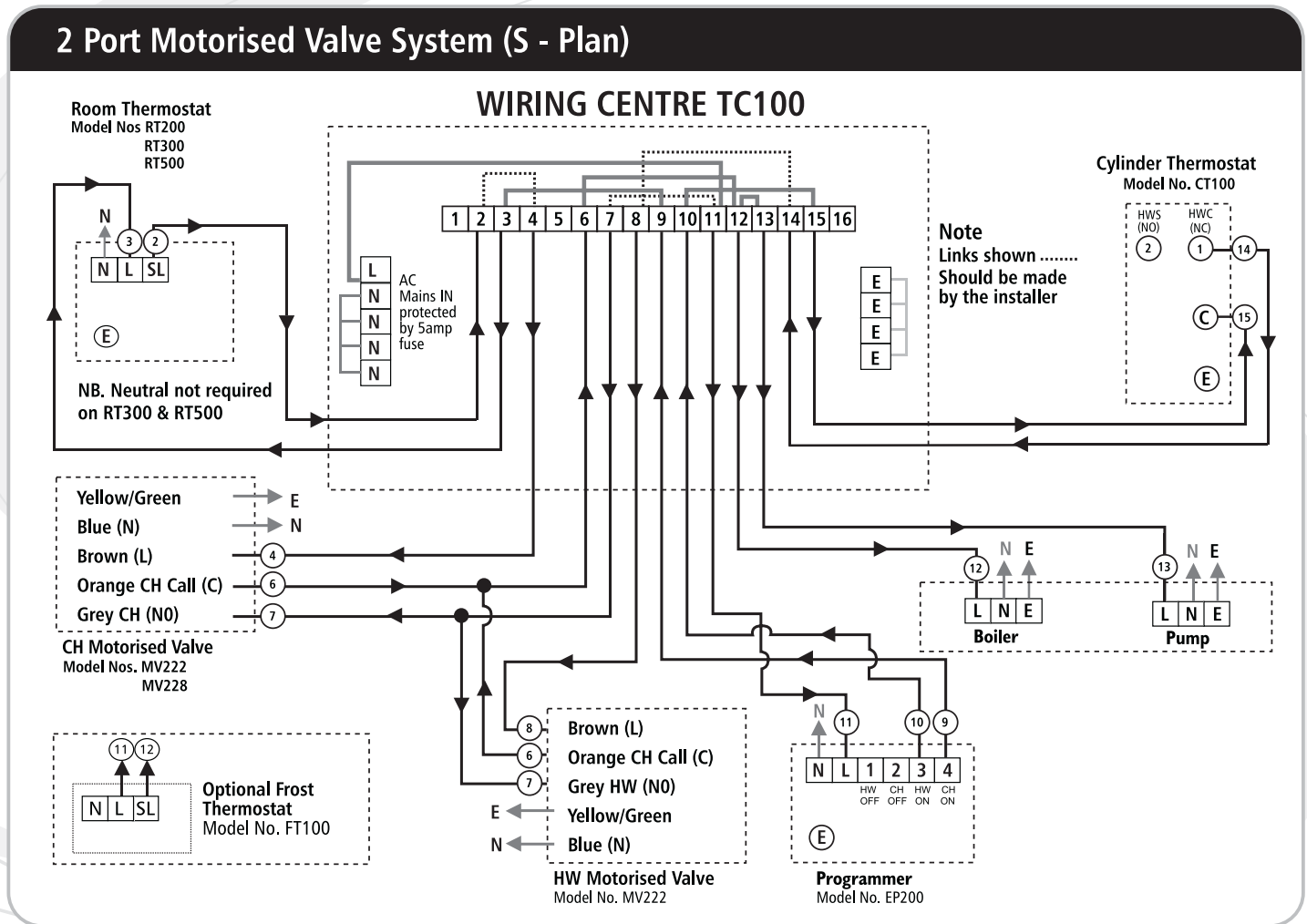


Wiring Centre

Model No:- TC100

Wiring centres are designed to simplify wiring and circuit checking. The TC100 does this with an easy to understand manual suited to all popular central heating and hot water systems. Adequate wiring space, large terminals, cable access points and cable clamps add to the simplicity of the TC100.

2 Port Motorised Valve System (S - Plan)



Note: links shown on diagram should be made by the installer.

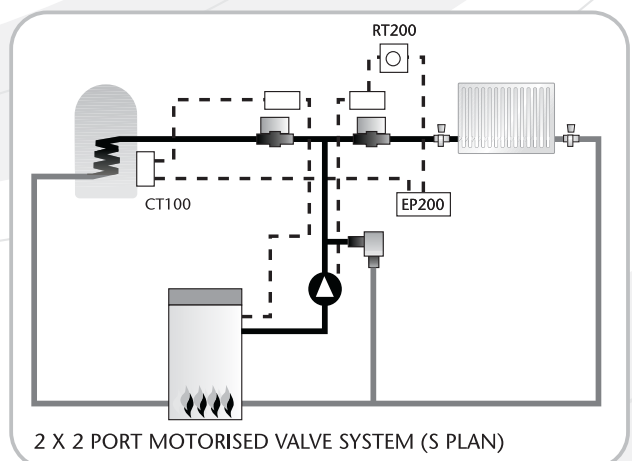
For 'S Plan' link

2 - 4

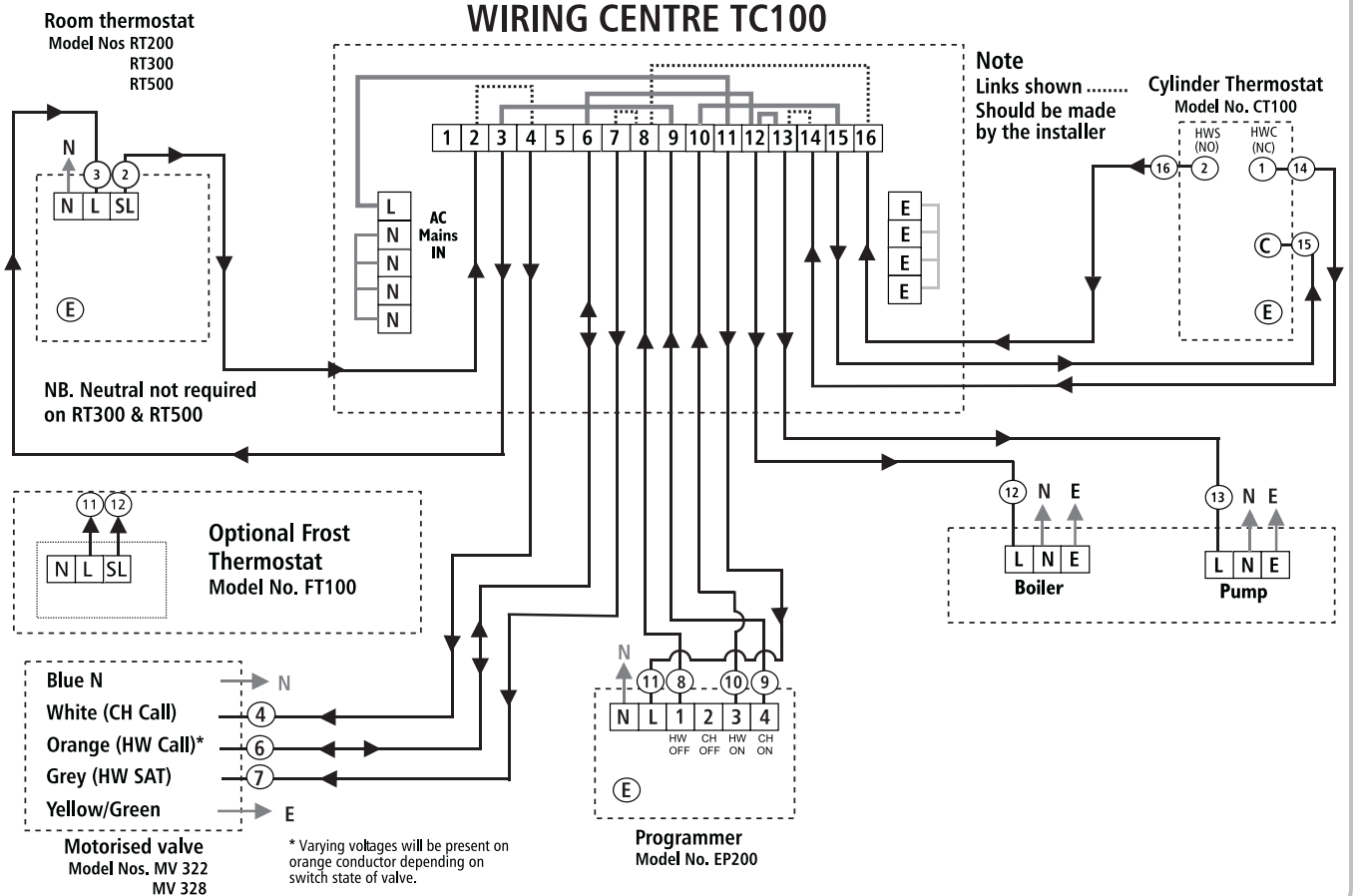
7 - 11

8 - 14

The TC100 Wiring Guide assumes that the Installer can identify from the boiler, pump and controls literature to hand, the mains supply and switch terminals.



3 Port Motorised Valve System (Y - Plan)



Note: links shown on diagram should be made by the installer.

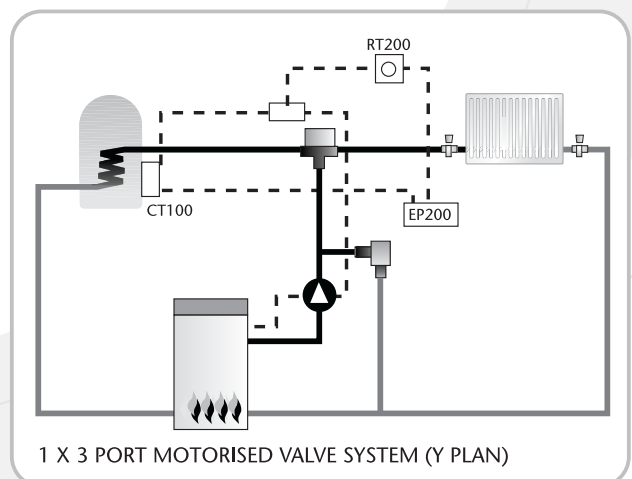
For 'Y Plan' link

- 2 - 4
- 7 - 8
- 8 - 16
- 13 - 14

All wiring must be to latest I.E.E. wiring regulations - BS 7671:2001 and carried out by a competent, qualified installer.

Warning

Salus Controls plc. accepts no liability for any loss or damage arising from any errors or omissions that may be inadvertently contained within this diagram.



Salus Controls plc
Salus House, Dodworth Business Park South,
Dodworth, Barnsley S75 3SP
Web: www.salus-tech.com Email: sales@salus-tech.com

Maintaining a policy of continual product development Salus Controls plc. reserve the right to change specification, design and materials of products listed in this brochure without prior notice.

Manual Issue No. IM-TC100/8-001