

## AFTERCARE INSTRUCTIONS

Your fitting has a high quality finish and should be treated with care to preserve the visible surfaces.

All surface finishes will wear if not cleaned correctly, the only safe way to clean your product, is to wipe with a soft damp cloth. Stains can be removed using washing up liquid. All bath cleaning powders and liquids can damage the surface of your fitting even the non-scratch cleaners.

## GUARANTEE

All products are manufactured to the highest standards and a 10-year guarantee covers any defect in manufacture.

## CONTACT DETAILS

If you require further assistance please contact Heritage Sales and Technical Enquiries:

**Sales:** 0844 701 8501

**Technical:** 0844 701 8503

**Email:** [technical@heritagebathrooms.com](mailto:technical@heritagebathrooms.com)

**Website:** [www.heritagebathrooms.com](http://www.heritagebathrooms.com)

**Heritage Bathrooms**  
Unit 6 Albert Road  
St Philips Central  
Bristol  
BS2 0XJ



© Heritage Bathrooms 2010

**HERITAGE<sup>®</sup>**  
BATHROOMS

## Granley Low-Level Cistern Fittings PGRW01L

## Fitting Instructions & Contents List

Before starting any installation project please consider:

Prior to drilling into walls, check there are no hidden electrical wires, cables or water supply pipes with the aid of an electronic detector. If you use power tools do not forget:

- Wear eye protection
- Unplug equipment after use



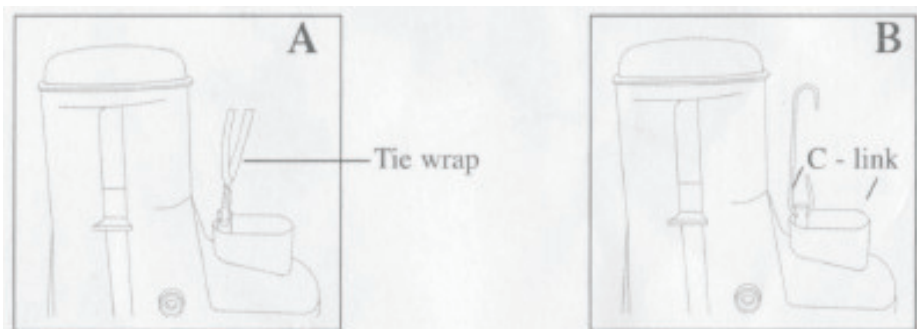
**Please keep these instructions for future reference and request of replacement part**

## Component Pack Fitting Instructions

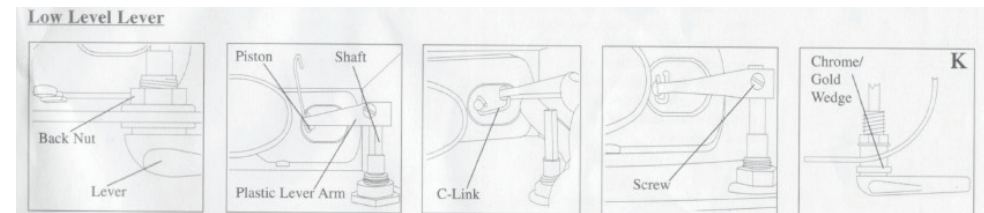
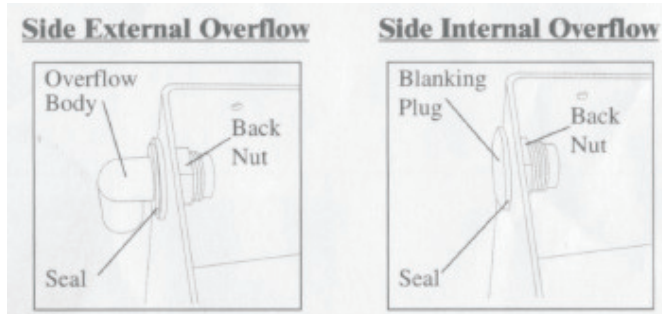
Please ensure these instructions are followed carefully-if your unsure about any aspect of the installation,please consult a qualified installer. In the event of any problem with the function of this equipment, please check installation before consulting your supplier.

### Warning

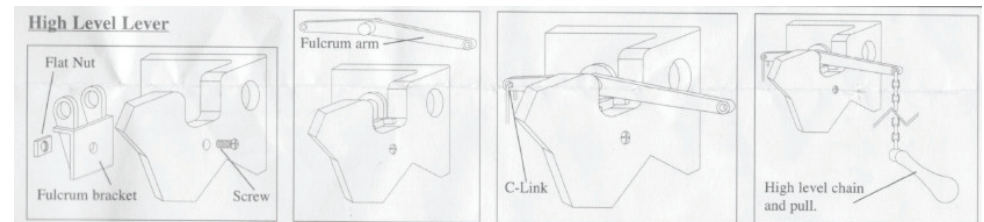
Do not use mole grips on plastic nuts.  
Do not use a sealing compound as damage may occur to plastic components.  
Do not over tighten plastic nuts



Push the piston assembly from the bottom, inside the housing of the siphon & remove the tie wrap from the piston rod (shown in picture 'A') insert the C-Link into the piston rod as shown in picture 'B'.



Feed the lever through the handle hole & secure in place using back-nut provided, slide the plastic lever arm over the shaft, ensure the end of the lever arm lines up over the top of the piston, remove from shaft cut plastic lever arm to suit ( if applicable), attach onto C- Link, slide back onto shaft & secure in place using screw. The diagram 'K' shows a low level mechanism when wedges are required, the chrome/gold wedge is to be fitted externally on the Cistern.



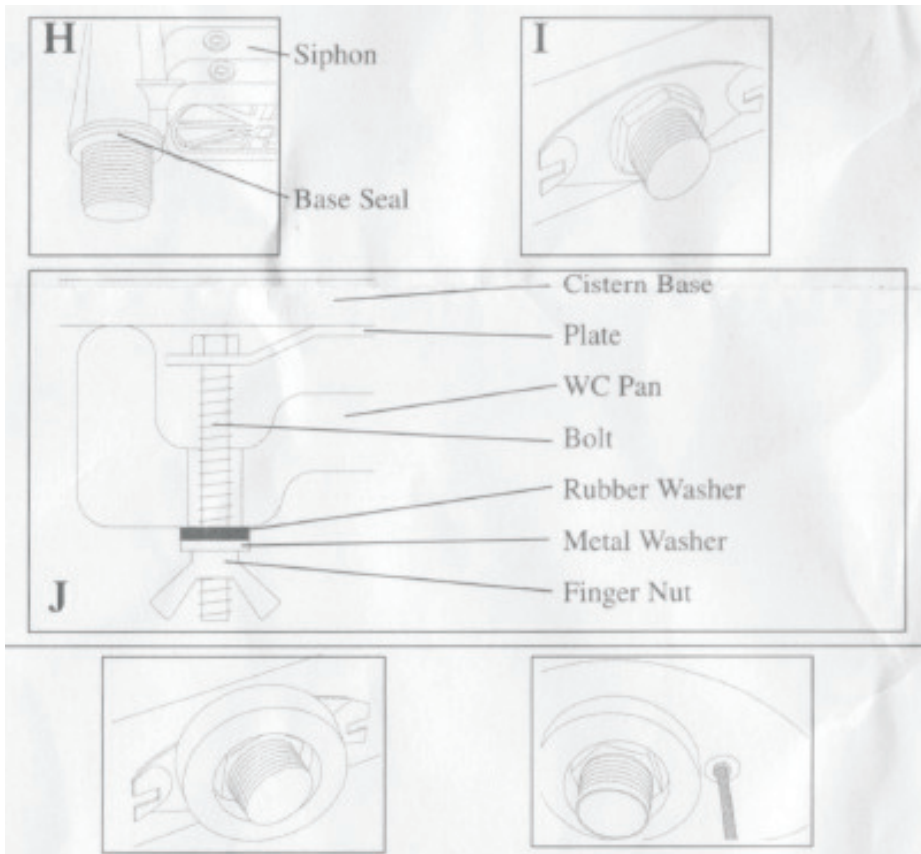
Secure the fulcrum bracket in place using the screw & flat nut provided, hook the fulcrum arm onto the C-Link & clip the fulcrum arm into the fulcrum bracket, attach the high level chain & pull.

### Final Commissioning

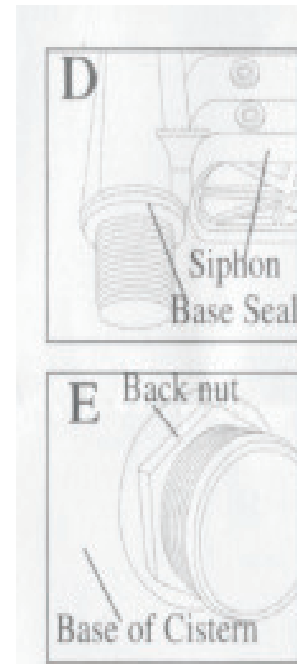
Before turning on the water supply, check all components are free moving & all joints are correctly made.  
Fill the cistern with water & carefully check for leaks.  
Test the overflow by holding the float down, ensure that incoming water is completely discharged, if not partially close the isolation valve (Not Supplied) & try again, repeat until all incoming water is discharged.  
Check that the inlet valve shuts off on the water line indicated inside the Cistern.

### Close-Coupled - Plated Kit.

Place the rubber washer over the threads of the siphon as shown in picture 'H' & feed through hole in Cistern, place the plate over threads of siphon, secure hand tight using back-nut provided as shown in picture 'I' & tighten a further half turn using a suitable spanner. Picture 'J' shows the complete assembly.



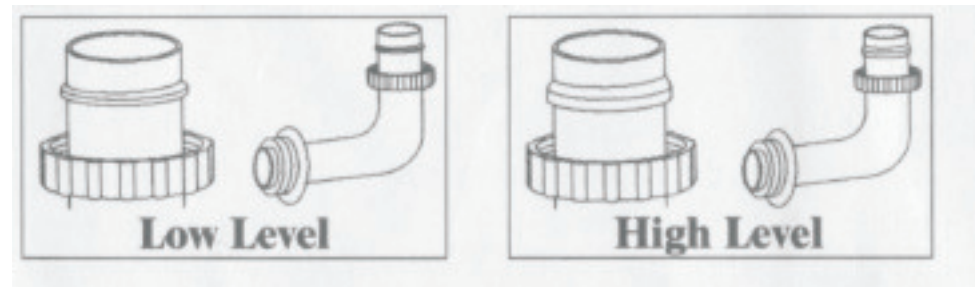
Both methods of closed coupled packs require a close couple washer between the WC Pan & Cistern as shown in the pictures above.



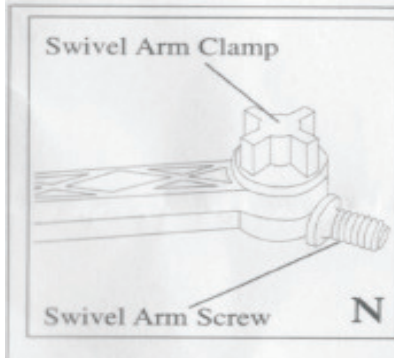
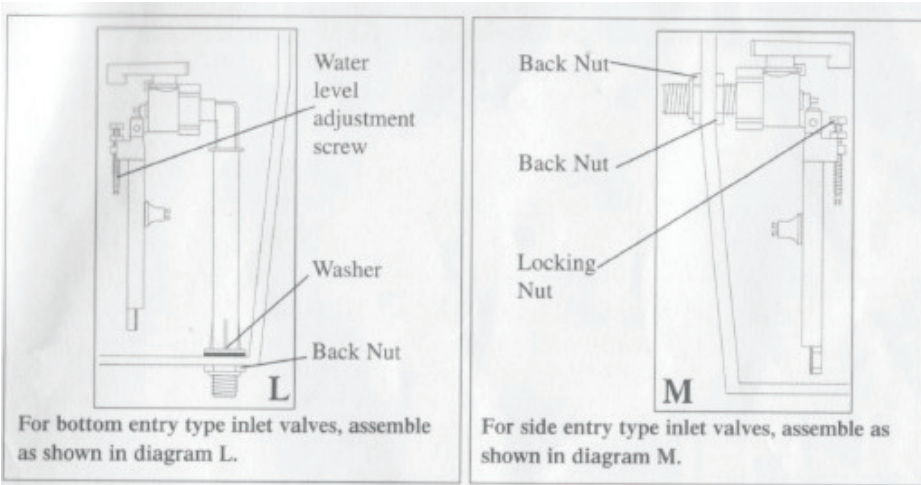
### Low/High Level

For low/high level packs, place the rubber washer over the threads of the siphon as shown in picture 'D' & feed through hole in Cistern. Secure hand tight using back-nut provided as shown in picture 'E' & tighten a further half turn using a suitable spanner. The flushpipe assembly is shown below (high level flushpipe not supplied).

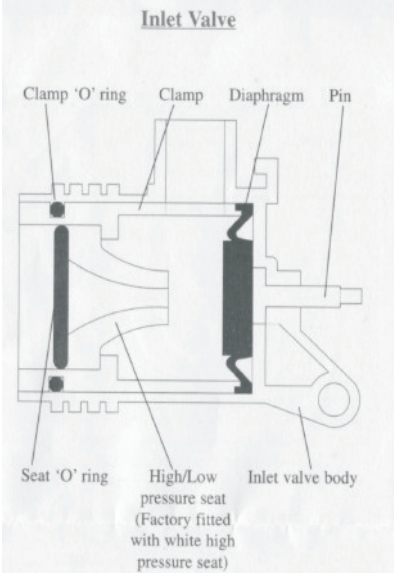
When fitting either seal ensure that the rounded edge on the low level seal & the bevelled edge on the high level seal are pointing towards the end of the flushpipe that is to be inserted into the threads of the siphon (**do not insert more than 40mm into the tail of the siphon**).



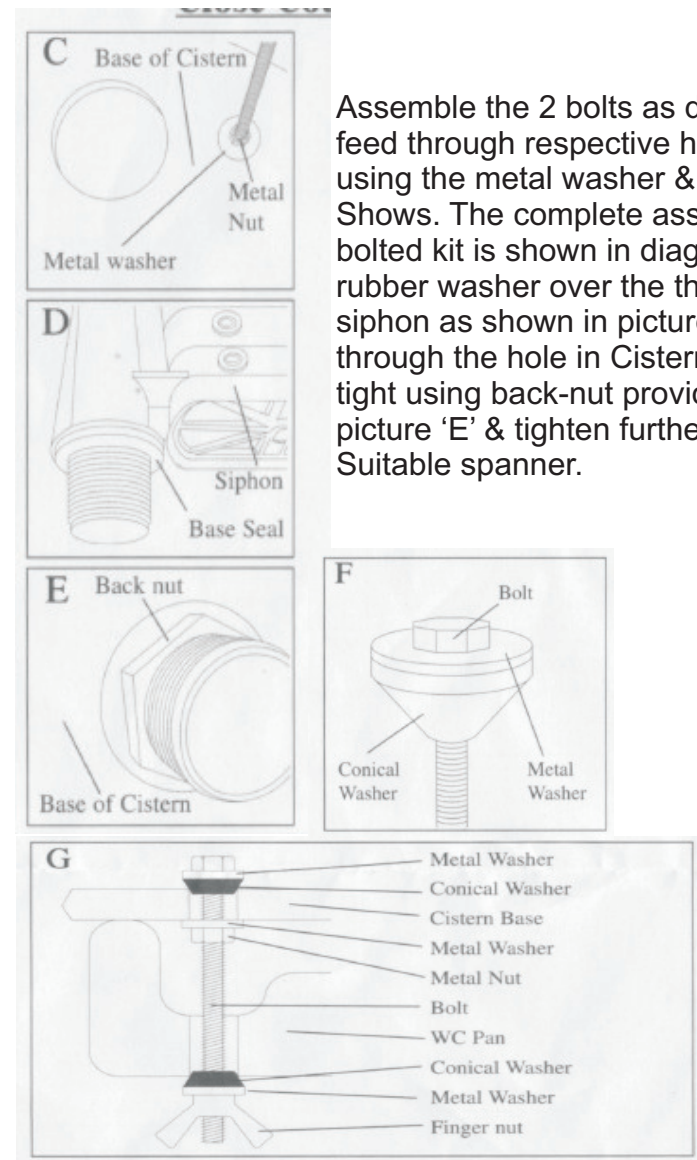




Hold the swivel arm screw on the underside of the float arm. Insert the swivel arm clamp from the top of the inlet valve arm, tighten to secure in place, screw the float onto the swivel arm screw, check for free movement of the float, (ensure the float does not get caught on the side/back wall of cistern). To adjust water level rotate the water level adjustment screw, turn clockwise to reduce shut-off level, turn anti-clockwise to raise shut-off level, secure by hand tightening the locking nut.



The inlet valve is fitted with a high pressure seat (white), if water pressure is low, the inlet valve is supplied with low pressure seat (red, attached to the inlet valve arm) that can be swapped, diagram 'N' shows the internal assembly of the inlet valve body.



Assemble the 2 bolts as diagram 'F' shows, feed through respective holes & secure using the metal washer & nut as picture 'C' Shows. The complete assembly of the bolted kit is shown in diagram 'G'. Place the rubber washer over the threads of the siphon as shown in picture 'D' & feed through the hole in Cistern. Secure hand tight using back-nut provided as shown in picture 'E' & tighten further half turn using a Suitable spanner.

