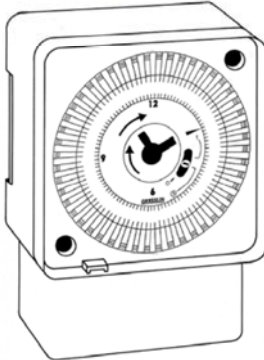


Tactic 111 to 271 Timeswitches

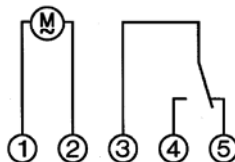
SPECIFICATION SHEET



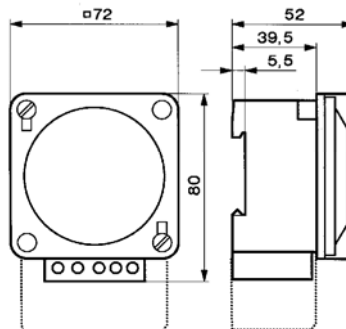
Surface mounting



Panel mounting



Tactic wiring



Tactic dimensions – dimension over terminal cover: 106mm

tactic Synchronous & Quartz

<u>PRODUCT CODE*</u>	<u>ORDER CODE</u>	<u>DIAL TYPE</u>	<u>SWITCHING CAPACITY</u>
tactic 111.1	72ST	24 HOUR	16 Amps
tactic 171.1	72SW	7 DAY	16 Amps
tactic 211.1	72QT	24 HOUR	16 Amps
tactic 271.1	72QW	7 DAY	16 Amps

All products are suitable for surface, panel and din-rail mounting. Backplate provided is suitable for panels up to 2mm thickness. Optional terminal block is available for panels greater than 2mm. When panel mounting, connection is possible without accessories by use of ¼" (6.3mm) tab terminal receptacle connectors (not provided). Quartz versions have 150 hour battery back-up.

*Product code key:

- 1.. 1 = Synchronous without running reserve
- 2 = Quartz with running reserve
- 3-5 = Digital
- .1. 1 = Day program (24 hour)
- 7 = Week program (7 day)
- ..1 1 = 1-channel
- 2 = 2-channel
- ... 1 0 = Surface mounting
- 1 = Universal mounting
- 2 = Flush mounting

Technical specification:

Control panel cutout 66 x 66mm
 Weight 160g
 AC switching capacity:
 - resistive load 16A 250v AC
 - inductive load cos ϕ 0.6 8A 250v AC
 - incandescent lamp load 1350W
 - fluorescent lamp load 60W
 Minimum switching current 100mA (20v) AC/DC
 Ambient temperature:
 - Synchronous units -20 °C to +85°C
 - Quartz units -20°C to +55°C
 Accuracy mains synchronized typ. \pm 2.5 sec. / day
 Battery charging time (quartz) 70 hours
 Minimum switching time:
 - 24 hour dials 15 minutes
 - 7 day dials 2 hours
 Manual override fix ON / timed / fix OFF
 Optional working voltages:
 Tactic 211.1 / 271.1 only
 Standard options – 24v AC/DC; 110v AC
 On request (subject to availability) : 6 – 72v DC; 12 – 160v 45/60Hz

Tactic 111 to 271 Timeswitches

SPECIFICATION SHEET

tactic Synchronous & Quartz

Setting up

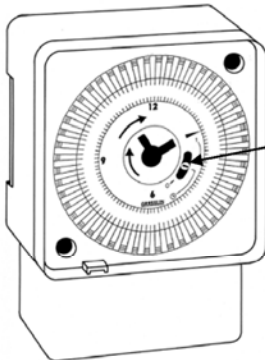


The outer dial should be set to the current time. Rotate the dial slowly in a clockwise direction, until the correct hour is approaching the arrow printed on the dial. Accurate setting of the time on the clock is achieved by rotating the minute hand in a clockwise direction. Note that the outer dial is printed with the 24 hour clock – 8:00 a.m. = 8 on the dial. 8:00 p.m. = 20 on the dial.

Programming switching times

Set all tappets between the on and off times required, to the outer edge of the dial (see figure 1). E.g. to set on at 8:00 a.m. – Off at 1:00 p.m., push tappets between dial numbers 8 and 13 to outer edge of dial. Set any other required switching times in a similar manner.

Manual override



There is a three-position switch built in to the face of the dial. For automatic timed control, governed by the tappet settings, the switch should be left in the middle position (as illustrated). The output can be switched ON at any time, by moving the switch lever to the top position, marked with a 1 on the dial. Alternatively, the output can be switched OFF at any time, by moving the switch lever to the lower position, marked with a 0 on the dial. The manual override is a **fixed** selection – the output will remain ON or OFF (as selected), until the switch lever is moved back to the middle timed position, marked with a ⌚ on the dial.

Surface mounting



Panel mounting

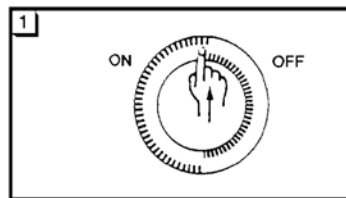


Figure 1