

TECHNICAL DATASHEET

HERITAGE[®]
BATHROOMS

Dorchester Cloakroom Semi-Recessed Basin

Product Specification

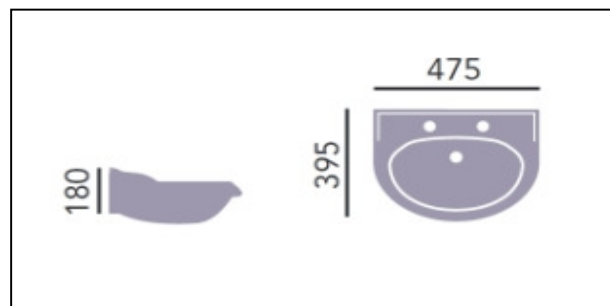
Product Code:	PDW371 (1TH), PDW372 (2TH)
Finishes:	White
Product Type:	Traditional
Construction:	Vitreous China
Dimensions for Fitting:	Height: 180mm Width: 475mm Depth: 395mm



© Heritage Bathrooms 2010

Additional Information

- Vitreous China Manufactured to : BSEN31:1999
BS1188:1974
BS3402:1969
- Use with Compact 500 Vanity units, which are Pre-cut for this basin
- Available in 1 or 2 tap hole basins
- 25 Year Guarantee



Technical Advice: For further information please call 0844 701 8503 or email technical@heritagebathrooms.com.
Guarantee: 25 years covering manufacturing faults.

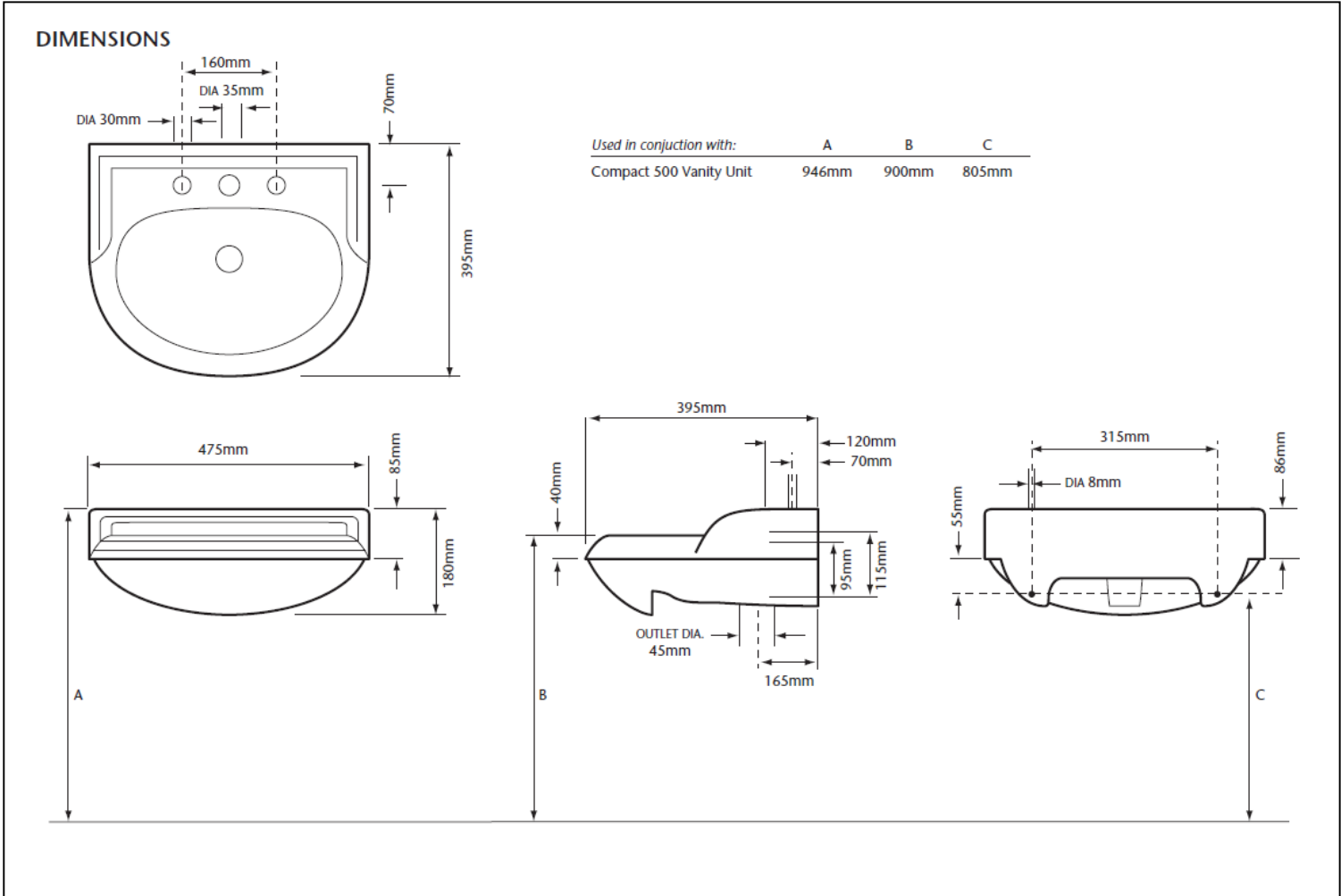
Heritage Bathrooms, Unit 6, Albert Road, St. Philips Central, Bristol, BS2 0XJ
Telephone: 0844 701 8501 Facsimile: 0844 701 8502
Web Site: www.heritagebathrooms.com Email: technical@heritagebathrooms.com

 delivery to showroom  **25**
YEAR
GUARANTEE **D2**

The information contained on this page was correct at date of issue. Fitting dimensions are provided as a guide only. Some variation may occur due to manufacturing tolerances. Heritage Bathrooms pursues a policy of continuing improvement in design and performance of its products and so reserves the right to change specifications without prior notice.

TECHNICAL DATASHEET

Dorchester Cloakroom Semi-Recessed Basin



Technical Advice:
Guarantee:

For further information please call 0844 701 8503 or email technical@heritagebathrooms.com.
25 years covering manufacturing faults.

Heritage Bathrooms, Unit 6, Albert Road, St. Philips Central, Bristol, BS2 0XJ
Telephone: 0844 701 8501 Facsimile: 0844 701 8502
Web Site: www.heritagebathrooms.com Email: technical@heritagebathrooms.com

24hr
delivery to showroom

25
YEAR
GUARANTEE

D2

The information contained on this page was correct at date of issue. Fitting dimensions are provided as a guide only. Some variation may occur due to manufacturing tolerances. Heritage Bathrooms pursues a policy of continuing improvement in design and performance of its products and so reserves the right to change specifications without prior notice.