

TECHNICAL DATASHEET

HERITAGE[®]
BATHROOMS

Granley Deco Basin & Pedestal

Product Specification

Product Code:	PGDW05 (Basin), PGRW09 (Pedestal), PGRW10 (Tall Pedestal)
Finish:	White
Product Type:	Traditional
Construction:	Vitreous China



© Heritage Bathrooms 2010

Additional Information

- 2 Taphole Basin
- Pedestal available in Tall option
- 25 Year Guarantee
- Vitreous China Manufactured to : BSEN31:1999

BS1188:1974

BS3402:1969

Technical Advice: For further information please call 0844 701 8503 or email technical@heritagebathrooms.com.
Guarantee: 25 years covering manufacturing faults.

Heritage Bathrooms, Unit 6, Albert Road, St. Philips Central, Bristol, BS2 0XJ
Telephone: 0844 701 8501 Facsimile: 0844 701 8502
Web Site: www.heritagebathrooms.com Email: technical@heritagebathrooms.com


delivery to showroom


25
YEAR
GUARANTEE

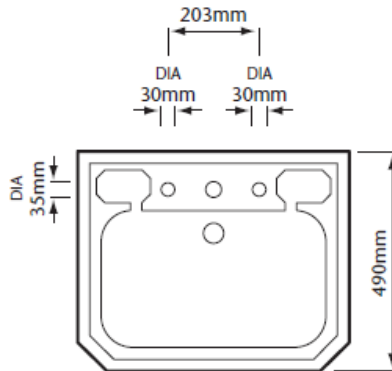
D2

The information contained on this page was correct at date of issue. Fitting dimensions are provided as a guide only. Some variation may occur due to manufacturing tolerances. Heritage Bathrooms pursues a policy of continuing improvement in design and performance of its products and so reserves the right to change specifications without prior notice.

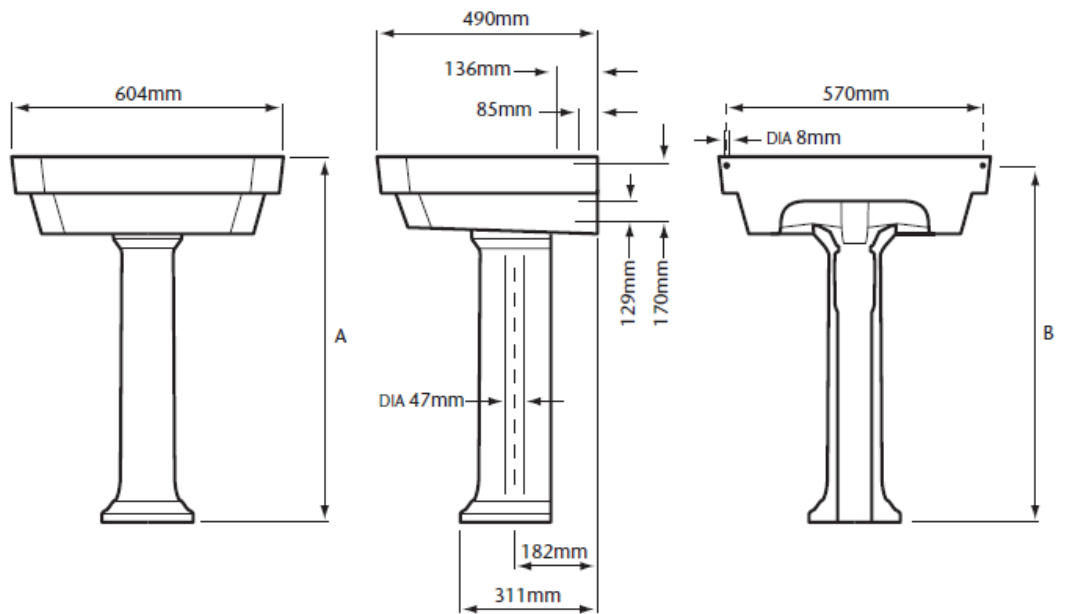
TECHNICAL DATASHEET

Granley Deco Basin & Pedestal

DIMENSIONS



	A	B
Pedestal PGRW09	815mm	665mm
Tall Pedestal PGRW10	889mm	739mm



Technical Advice:
Guarantee:

For further information please call 0844 701 8503 or email technical@heritagebathrooms.com.
25 years covering manufacturing faults.

Heritage Bathrooms, Unit 6, Albert Road, St. Philips Central, Bristol, BS2 0XJ
Telephone: 0844 701 8501 Facsimile: 0844 701 8502
Web Site: www.heritagebathrooms.com Email: technical@heritagebathrooms.com



The information contained on this page was correct at date of issue. Fitting dimensions are provided as a guide only. Some variation may occur due to manufacturing tolerances. Heritage Bathrooms pursues a policy of continuing improvement in design and performance of its products and so reserves the right to change specifications without prior notice.