

# TECHNICAL DATASHEET

**HERITAGE**<sup>®</sup>  
BATHROOMS

## Granley

### Low-Level WC & Cistern

#### Product Specification

<b>Product Code:</b>	PGRWOL (Pan), PGRWOIL (Cistern)
<b>Finish:</b>	White
<b>Product Type:</b>	Traditional
<b>Construction:</b>	Vitreous China
<b>Dimensions for Fitting:</b>	Height: 1000mm Width: 535mm Depth: 770mm



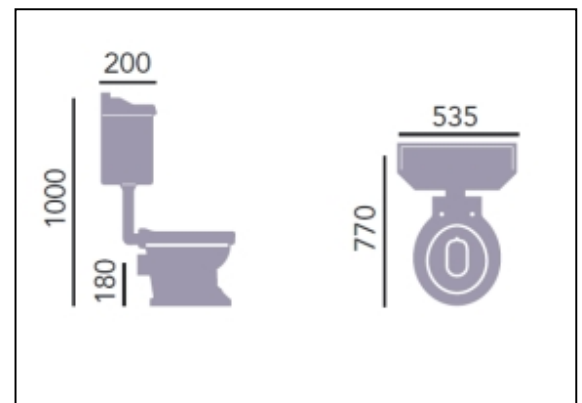
#### Additional Information

- Use with Heritage WC seat
- Use with low level flush pack CC00 (Chrome), CA00 (Gold)
- Vitreous China Manufactured to : BSEN31:1999

BS1188:1974

BS3402:1969

- Round Front Bowl



#### Technical Advice:

For further information please call 0844 701 8503 or email [technical@heritagebathrooms.com](mailto:technical@heritagebathrooms.com).

#### Guarantee:

25 years covering manufacturing faults.

Heritage Bathrooms, Unit 6, Albert Road, St. Philips Central, Bristol, BS2 0XJ  
Telephone: 0844 701 8501 Facsimile: 0844 701 8502  
Web Site: [www.heritagebathrooms.com](http://www.heritagebathrooms.com) Email: [technical@heritagebathrooms.com](mailto:technical@heritagebathrooms.com)



EASY TO USE



delivery to showroom



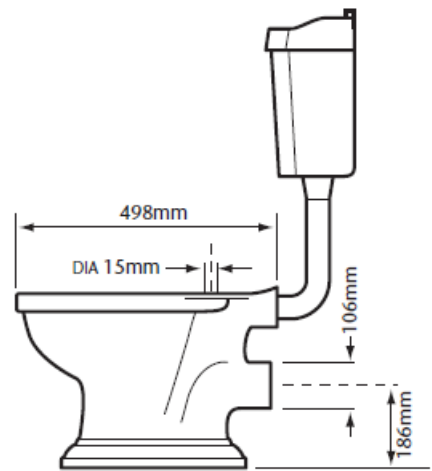
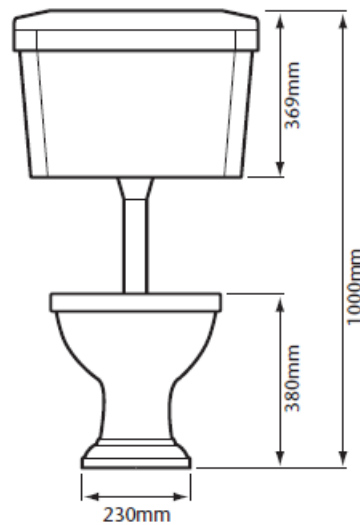
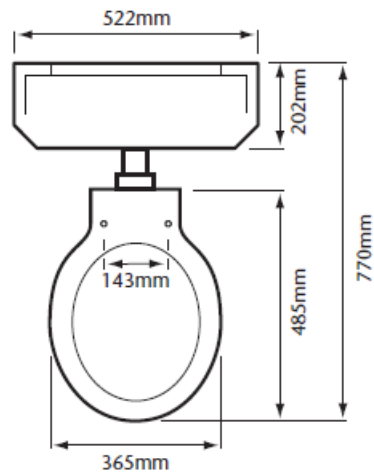
D2

The information contained on this page was correct at date of issue. Fitting dimensions are provided as a guide only. Some variation may occur due to manufacturing tolerances. Heritage Bathrooms pursues a policy of continuing improvement in design and performance of its products and so reserves the right to change specifications without prior notice.

# TECHNICAL DATASHEET

## Granley Low-Level WC & Cistern

### DIMENSIONS



**Technical Advice:**  
**Guarantee:**

For further information please call 0844 701 8503 or email [technical@heritagebathrooms.com](mailto:technical@heritagebathrooms.com).  
25 years covering manufacturing faults.

Heritage Bathrooms, Unit 6, Albert Road, St. Philips Central, Bristol, BS2 0XJ  
Telephone: 0844 701 8501 Facsimile: 0844 701 8502  
Web Site: [www.heritagebathrooms.com](http://www.heritagebathrooms.com) Email: [technical@heritagebathrooms.com](mailto:technical@heritagebathrooms.com)



D2

The information contained on this page was correct at date of issue. Fitting dimensions are provided as a guide only. Some variation may occur due to manufacturing tolerances. Heritage Bathrooms pursues a policy of continuing improvement in design and performance of its products and so reserves the right to change specifications without prior notice.